

CONSEW[®]

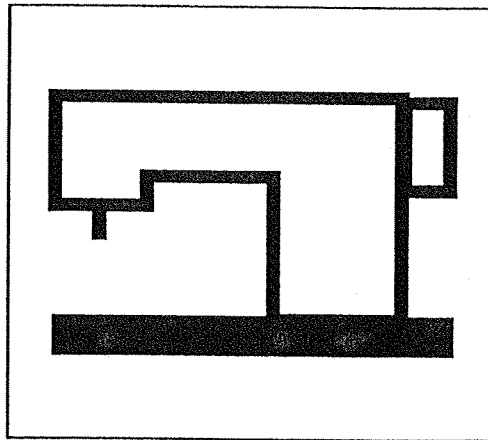
PARTS LIST パーツリスト

254B-3

254RB-3

255B-3

255RB-3



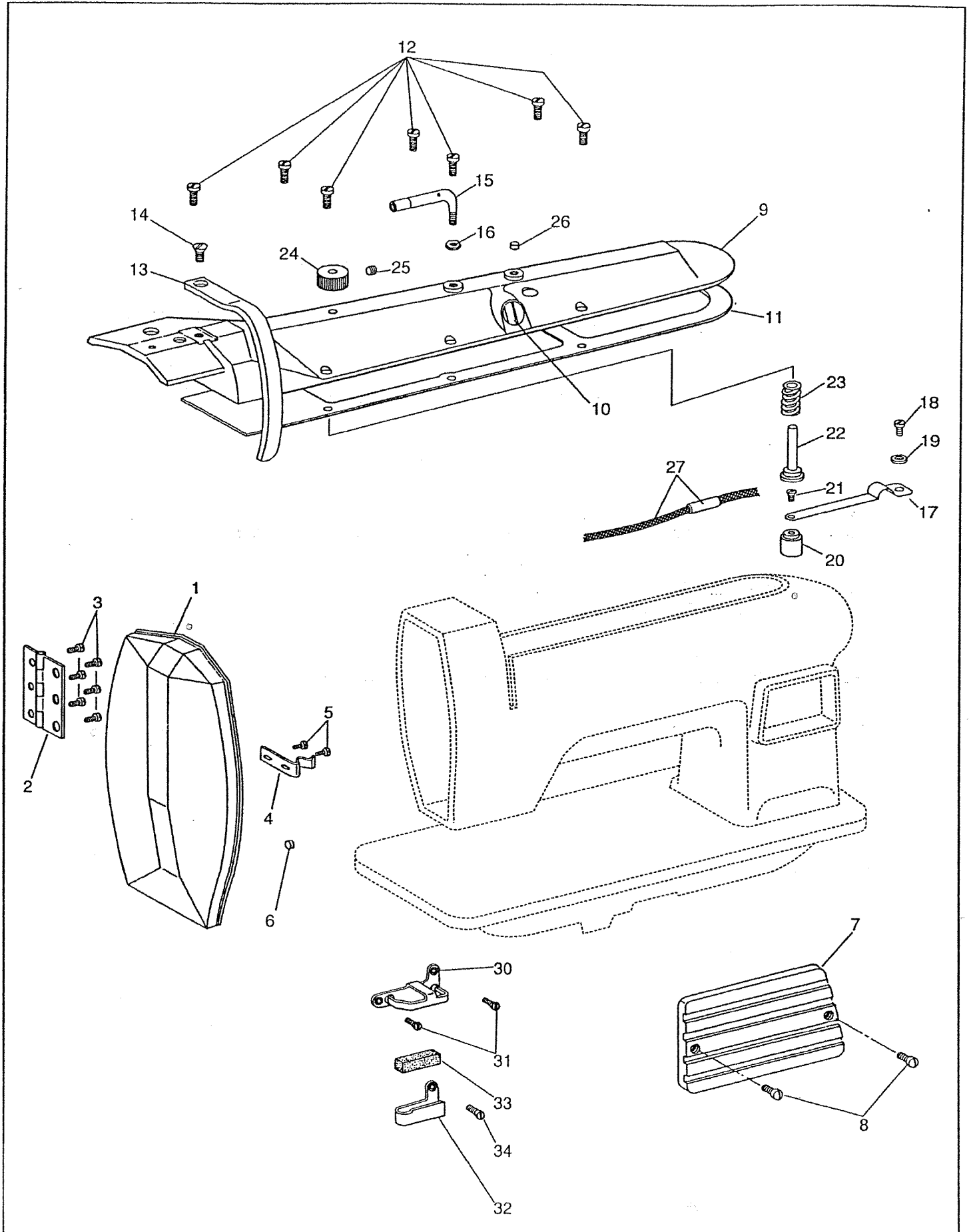
CONSOLIDATED SEWING MACHINE CORP.

Intentionally left blank

INDEX

| | Pages |
|--|--------|
| 面板、上板 FACE PLATE, ARM TOP COVER | 1, 2 |
| 天ビン、上軸、プーリー TAKE UP LEVER, ARM SHAFT, MACHINE PULLEY | 3, 4 |
| 押工棒、中押工棒 PRESSER BAR, VIBRATING PRESSER BAR | 5, 6 |
| 針棒土台、連結ロッド NEEDLE BAR ROCK FRAME, ROCK SHAFT CRANK CONNECTION | 7, 8 |
| 大弓、押工棒大板バネ KNEE LIFTER LIFTING LEVER, PRESSER BAR SPRING | 9, 10 |
| 下軸、下ベルトプーリー、送りカム HOOK DRIVING SHAFT, SAFETY CLUTCH PULLEY, FEED DRIVING CAM | 11, 12 |
| 針板、送り土台、送り軸 THROAT PLATE, FEED BAR, FEED ROCK SHAFT | 13, 14 |
| バックレバー、下送りロッド FEED REVERSING LEVER, FEED DRIVING ECCENTRIC CONNECTION | 15, 16 |
| カマ土台、カマ HOOK SADDLE, HOOK | 17, 18 |
| 調子板 TENSION | 19, 20 |
| 給油 LUBRICATION | 21, 22 |
| 附属品 ACCESSORIES AND ATTACHMENTS | 23, 24 |
| 別売品 PARTS AVAILABLE AT EXTRA CHARGE | 25, 26 |

面板、上板
FACE PLATE, ARM TOP COVER

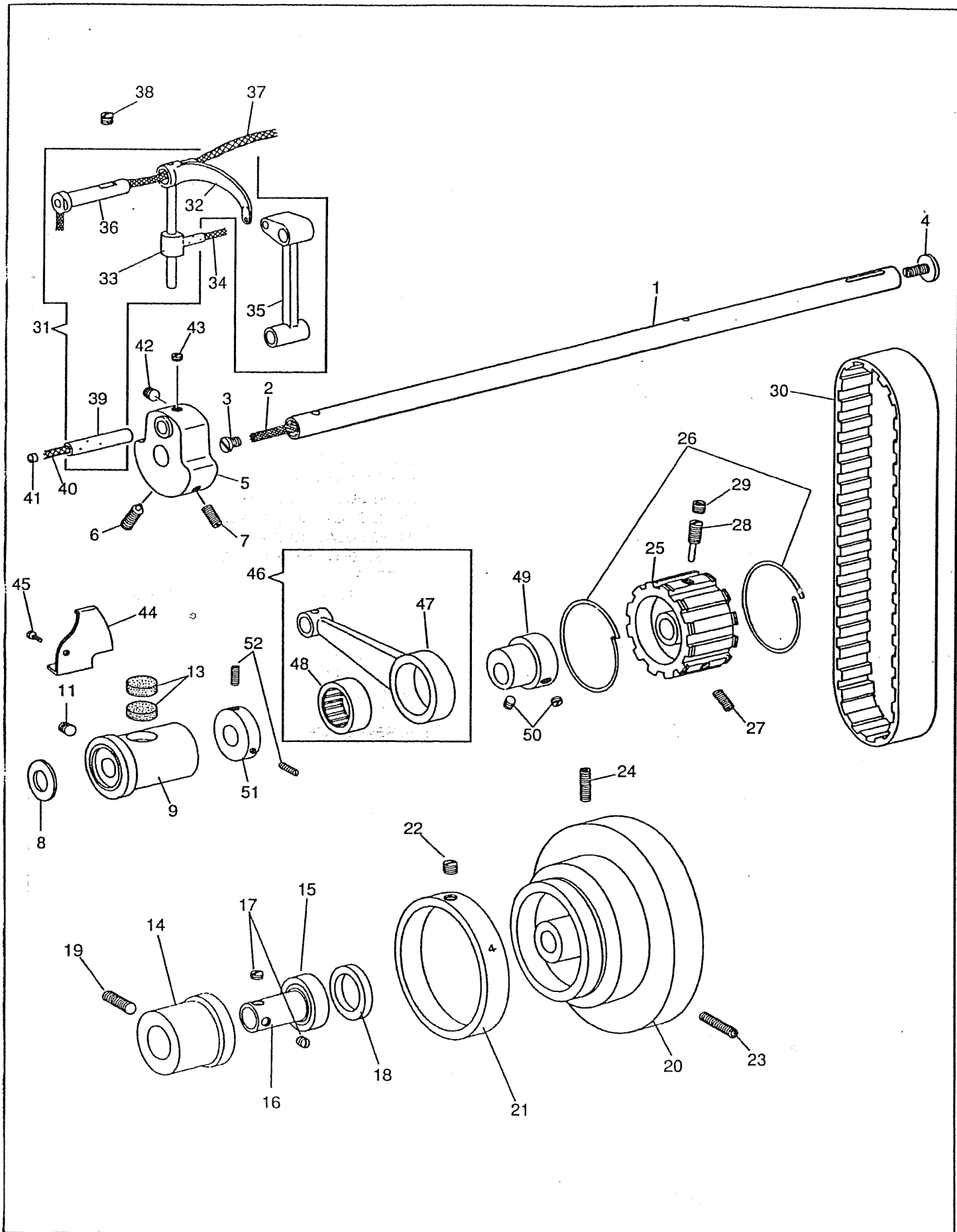


面板、上板

FACE PLATE, ARM TOP COVER

| NO | 部品番号 PART NO | 254B-3 | 254RB-3 | 255B-3 | 255RB-3 | 数量 QTY | 品名 | PARTS NAME |
|----|-----------------|--------|---------|--------|---------|-----------|-----------------|--------------------------------|
| 1 | 15035 | * | * | * | * | 1 | 面板 | FACE PLATE |
| 2 | 15036 | * | * | * | * | 1 | 蝶番 | HINGE |
| 3 | 15039 | * | * | * | * | 6 | 止めねじ | SCREW 1/8X44 L=3.5 |
| 4 | 15037 | * | * | * | * | 1 | 面板ばね | FACE PLATE SPRING |
| 5 | 15039 | * | * | * | * | 2 | 止めねじ | SCREW 1/8X44 L=3.5 |
| 6 | 15038 | * | * | * | * | 1 | 面板ゴム | RUBBER |
| 7 | 15006 | * | * | * | * | 1 | 横板 | ARM SIDE COVER |
| 8 | 8040 | * | * | * | * | 2 | 止めねじ | SCREW 9/64X40 L=8.0 |
| 9 | 15003 | * | * | * | * | 1 | 上板 | ARM TOP COVER |
| 10 | 11007 | * | * | * | * | 1 | 油量覗き窓 | OIL LEVEL INDICATOR |
| 11 | 15004 | * | * | * | * | 1 | 上板シートパッキン | GASKET |
| 12 | 15007 | * | * | * | * | 7 | 止めねじ | SCREW 9/64X40 L=10.0 |
| 13 | 36708 | * | * | * | * | 1 | 天秤カバー | THREAD TAKE UP COVER |
| 14 | 6031-02 | * | * | * | * | 1 | 止めねじ | SCREW 11/64X40 L=9.0 |
| 15 | 11006 | * | * | * | * | 1 | 上板糸掛 | ARM TOP COVER THREAD GUIDE |
| 16 | 13076-02 | * | * | * | * | 1 | ナット | NUT 7/32X32 |
| 17 | 15086 | * | * | * | * | 1 | 油調節板ばね | OIL CONTROL SPRING |
| 18 | 8040 | * | * | * | * | 1 | 止めねじ | SCREW 9/64X40 L=8.0 |
| 19 | 11142 | * | * | * | * | 1 | ワッシャー | WASHER |
| 20 | 11004 | * | * | * | * | 1 | 油調節おもり | OIL REGULATOR |
| 21 | 10597 | * | * | * | * | 1 | 止めねじ | SCREW 1/8X40 L=3.3 |
| 22 | 15058 | * | * | * | * | 1 | 給油遮断軸 | OIL REGULATING STUD |
| 23 | 15059 | * | * | * | * | 1 | 給油遮断スプリング | OIL REGULATING SPRING |
| 24 | 15057 | * | * | * | * | 1 | 給油遮断ダイヤル | OIL REGULATING DIAL |
| 25 | 8009 | * | * | * | * | 1 | 止めねじ | SET SCREW 15/64X28 L=7.5 |
| 26 | 15038 | * | * | * | * | 1 | 上板ゴム栓 | RUBBER |
| 27 | 15034C | * | * | * | * | 1 | ビニールチューブ、油芯 (組) | OIL TUBE AND OIL WICK COMPLETE |
| 28 | | | | | | | | |
| 29 | | | | | | | | |
| 30 | 15054 | * | * | * | * | 1 | 面糸掛け (上) | THREAD GUIDE (UPPER) |
| 31 | 10685 | * | * | * | * | 2 | 止めねじ | SCREW 3.4X36 L=6.5 |
| 32 | 10759-A | * | * | * | * | 1 | 面糸掛け (下) | THREAD GUIDE (LOWER) |
| 33 | 10760 | * | * | * | * | 1 | 面糸掛けフェルト | FELT |
| 34 | 10685 | * | * | * | * | 1 | 止めねじ | SCREW 3.4X36 L=6.5 |

天ビン、上軸、プーリー
 TAKE UP LEVER, ARM SHAFT, MACHINE PULLEY



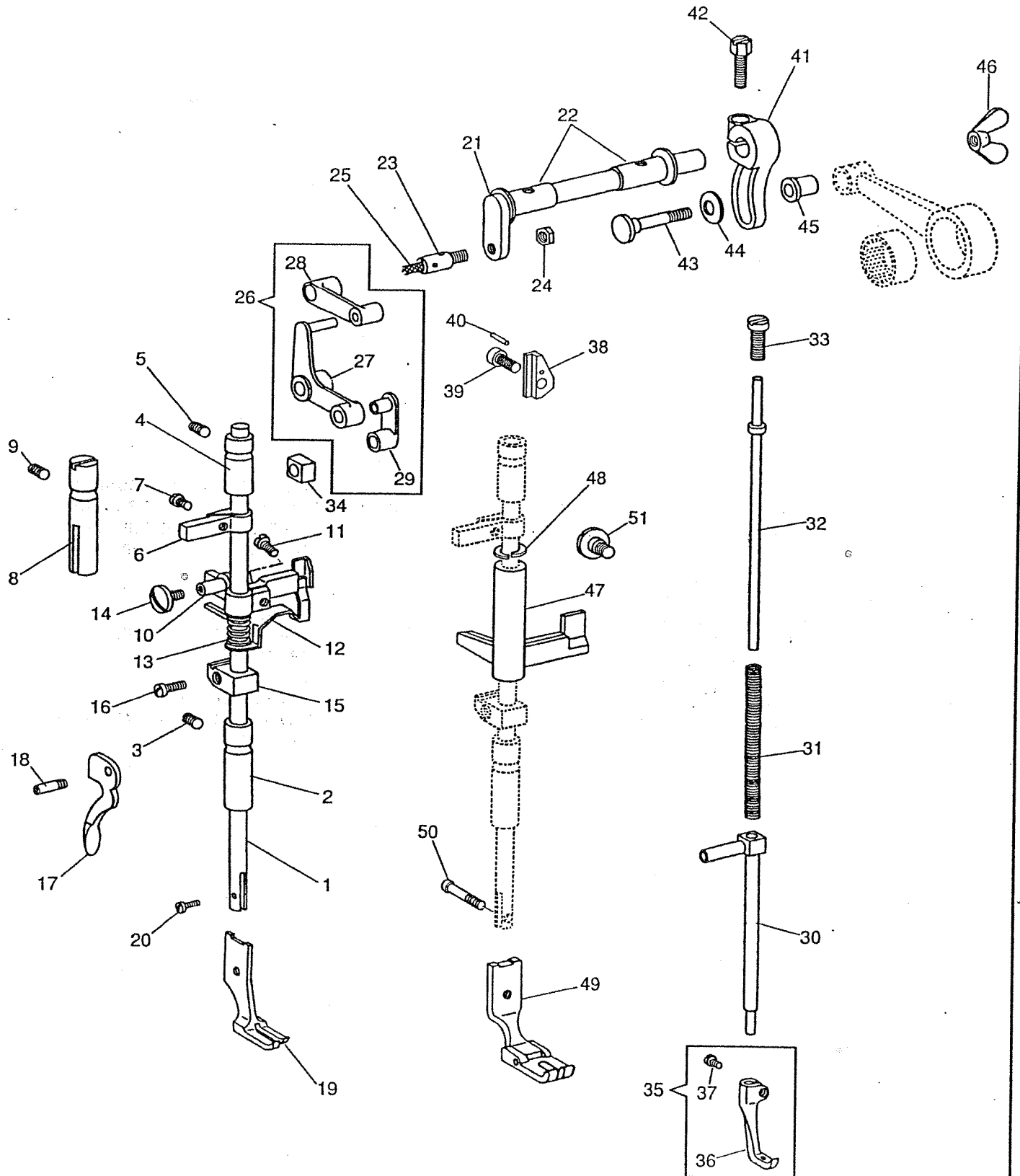
天ビン、上軸、プーリー

TAKE UP LEVER, ARM SHAFT, MACHINE PULLEY

| NO | 部品番号 PART NO | 254RB-3 | 254RB-3 | 255RB-3 | 255RB-3 | 数量 QTY | 品名 | PARTS NAME |
|----|-----------------|---------|---------|---------|---------|-----------|-------------------|--|
| 1 | 10768 | * | - | - | - | 1 | 上軸 | ARM SHAFT |
| 1 | 15327 | - | * | - | - | 1 | 上軸 | ARM SHAFT |
| 1 | 15011 | - | - | * | - | 1 | 上軸 | ARM SHAFT |
| 1 | 15209 | - | - | - | * | 1 | 上軸 | ARM SHAFT |
| 2 | 15033 | * | * | * | * | 1 | 上軸油芯 | OIL WICK |
| 3 | 10506 | * | * | * | * | 1 | 上軸油栓 ねじ | OIL STOP SCREW 7.85X20 L=6.0 |
| 4 | 10577 | * | * | * | * | 1 | プーリー押しねじ | PULLEY ADJUSTING SCREW 6.75X24 L=11.0 |
| 5 | 19414 | * | * | * | * | 1 | クランクモーションカム | NEEDLE BAR CRANK |
| 6 | 19415 | * | * | * | * | 1 | 位置決めねじ | POSITION SCREW 1/4X28 L=20.0 |
| 7 | 19416 | * | * | * | * | 1 | 止めねじ | SET SCREW 1/4X28 L=14.0 |
| 8 | 10563 | * | * | * | * | 1 | 上軸メタル (前) ワッシャ | WASHER |
| 9 | 10562 | * | * | * | * | 1 | 上軸メタル (前) | ARM SHAFT BUSHING (FRONT) |
| 10 | | | | | | | | |
| 11 | 10524 | * | * | * | * | 1 | 止めねじ | SET SCREW 6.75X24 L=6.5 |
| 12 | | | | | | | | |
| 13 | 10725 | * | * | * | * | 2 | 上軸メタル (前) フェルト | OIL FELT |
| 14 | 13074 | * | * | * | * | 1 | 上軸ベアリングケース | ARM SHAFT BALL BEARING ADAPTOR |
| 15 | 10567 | * | * | * | * | 1 | 上軸ベアリング | ARM SHAFT BALL BEARING |
| 16 | 13361 | * | * | * | * | 1 | 上軸ベアリングカラー | ARM SHAFT BALL BEARING ADAPTOR SLEEVE |
| 17 | 23637 | * | * | * | * | 2 | 止めねじ | SET SCREW 1/4X28 L=7.5 |
| 18 | 10568 | * | * | * | * | 1 | 溝なしリング | BALL BEARING RETAINING RING |
| 19 | 10571 | * | * | * | * | 1 | 上軸ベアリングケース止めねじ | SCREW 6.75X24 L=20.0 |
| 20 | 10504 | * | * | * | * | 1 | プーリー | MACHINE PULLEY |
| 21 | 10505-B | * | - | * | - | 1 | 文字リング (ベルトガード無用) | FEED INDICATING DISC (W/O BELT GUARD) |
| 21 | 10505-A | * | - | * | - | (1) | 文字リング (ベルトガード付用) | FEED INDICATING DISC (W/ BELT GUARD) |
| 21 | 10943-B | - | * | - | * | 1 | 文字リング (ベルトガード無用) | FEED INDICATING DISC (W/O BELT GUARD) |
| 21 | 10943-A | - | * | - | * | (1) | 文字リング (ベルトガード付用) | FEED INDICATING DISC (W/ BELT GUARD) |
| 22 | 10566 | * | * | * | * | 1 | 文字リング 止めねじ | SET SCREW 1/4X32 L=5.5 |
| 23 | 10576 | * | * | * | * | 1 | 位置決めねじ | POSITION SCREW 15/64X28 L=21.0 |
| 24 | 10579 | * | * | * | * | 1 | 止めねじ | SET SCREW 15/64X28 L=20.0 |
| 25 | 10569 | * | * | * | * | 1 | ベルトプーリー | ARM SHAFT CONNECTING BELT PULLEY |
| 26 | 10574 | * | * | * | * | 2 | ベルトプーリーリング | BELT PULLEY SPRING FLANGE |
| 27 | 10571-G | * | * | * | * | 1 | ベルトプーリー止めねじ | SET SCREW 6.75X24 L=20.0 |
| 28 | 10570 | * | * | * | * | 1 | ベルトプーリーピンねじ | POSITION SCREW 6.75X24 L=14.5 |
| 29 | 10524-G | * | * | * | * | 1 | ベルトプーリーピンねじ止めねじ | POSITION SCREW SET SCREW 6.75X24 L=6.5 |
| 30 | 10621 | * | * | * | * | 1 | タイミングベルト | ARM SHAFT CONNECTING BELT |
| 31 | 15024C | * | * | * | * | 1 | 天秤 (組) | THREAD TAKE UP LEVER COMPLETE |
| 32 | 15024 | * | * | * | * | 1 | 天秤 | THREAD TAKE UP LEVER |
| 33 | 15026 | * | * | * | * | 1 | 天秤抱き | THREAD TAKE UP LEVER DRIVING STUD |
| 34 | 10728 | * | * | * | * | 1 | 天秤抱き油芯 | OIL WICK |
| 35 | 10528 | * | * | * | * | 1 | 針棒クランク | NEEDLE BAR CONNECTING LINK |
| 36 | 15013 | * | * | * | * | 1 | 天秤ピン | THREAD TAKE UP LEVER HINGE STUD |
| 37 | 11042 | * | * | * | * | 1 | 天秤ピン油芯 | OIL WICK |
| 38 | 10524 | * | * | * | * | 1 | 天秤ピン止めねじ | SET SCREW 6.75X24 L=6.5 |
| 39 | 10523 | * | * | * | * | 1 | 針棒クランクピン | NEEDLE BAR CONNECTING LINK STUD |
| 40 | 10726 | * | * | * | * | 1 | 針棒クランクピン油芯 | OIL WICK |
| 41 | 15038 | * | * | * | * | 1 | 油ゴム栓 | RUBBER OIL STOPPER |
| 42 | 19417 | * | * | * | * | 1 | 針棒クランクピン 止めねじ (長) | SCREW 1/4X28 L=6.5 |
| 43 | 19418 | * | * | * | * | 1 | 針棒クランクピン 止めねじ (短) | SCREW 1/4X28 L=4.5 |
| 44 | 10551 | * | * | * | * | 1 | 天秤油受け | THREAD TAKE UP LEVER OIL GUARD |
| 45 | 10650 | * | * | * | * | 1 | 天秤油受け止めねじ | SCREW 3.4X36 L=6.0 |
| 46 | 10772C | - | - | * | * | 1 | 上連結ロッド (組) | LIFTING ECCENTRIC CONNECTION COMPLETE |
| 47 | 10772 | - | - | * | * | 1 | 上連結ロッド | LIFTING ECCENTRIC CONNECTION |
| 48 | 10773 | - | - | * | * | 1 | ニードルベアリング | NEEDLE BEARING |
| 49 | 19427 | - | - | * | * | 1 | 中押え上下カム | LIFTING ECCENTRIC |
| 50 | 19508 | - | - | * | * | 2 | 中押え上下カム止めねじ | SET SCREW 1/4X40 L=5.5 |
| 51 | 11879 | - | - | * | * | 1 | 中押え上下カムカラー | LIFTING ECCENTRIC COLLAR |
| 52 | 10573 | - | - | * | * | 2 | 中押え上下カムカラー止めねじ | SET SCREW 7/32X32 L=11.0 |

押工棒、中押工棒

PRESSER BAR, VIBRATING PRESSER BAR



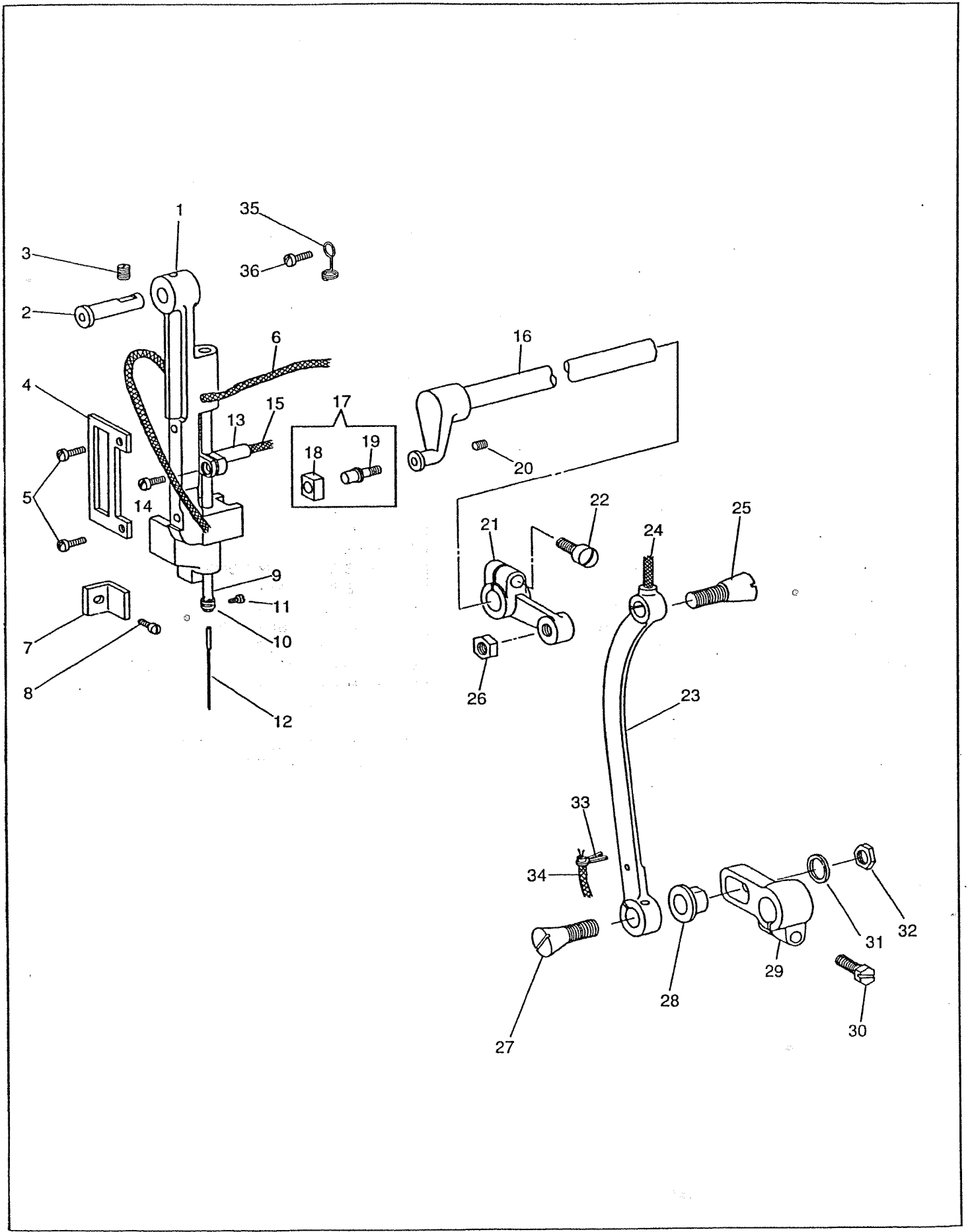
押工棒、中押工棒

PRESSER BAR, VIBRATING PRESSER BAR

| NO | 部品番号 PART NO | 254B-3 | 254PB-3 | 255B-3 | 255PB-3 | 数量 QTY | 品名 | PARTS NAME |
|----|-----------------|--------|---------|--------|---------|-----------|----------------|---|
| 1 | 10540 | * | * | * | * | 1 | 押え棒 | PRESSER BAR |
| 2 | 10539-A | * | * | * | * | 1 | 押え棒 (下) メタル | PRESSER BAR BUSHING (LOWER) |
| 3 | 10761 | * | * | * | * | 1 | 止めねじ | SET SCREW 6.75X24 L=11.0 |
| 4 | 10538 | * | * | * | * | 1 | 押え棒 (上) メタル | PRESSER BAR BUSHING (UPPER) |
| 5 | 10761 | * | * | * | * | 1 | 止めねじ | SET SCREW 6.75X24 L=11.0 |
| 6 | 10541 | * | * | * | * | 1 | 押え棒案内 | PRESSER BAR POSITION GUIDE BRACKET |
| 7 | 10662 | * | * | * | * | 1 | 止めねじ | SCREW 5/32X40 L=6.5 |
| 8 | 10543 | * | * | * | * | 1 | 案内棒 | PRESSER BAR POSITION GUIDE |
| 9 | 10761 | * | * | * | * | 1 | 止めねじ | SET SCREW 6.75X24 L=11.0 |
| 10 | 18479 | - | - | * | * | 1 | 押え棒抱き | PRESSER BAR LIFTING BRACKET |
| 11 | 19518 | - | - | * | * | 1 | 押え棒抱き締めねじ | SCREW 11/64X40 L=14.0 |
| 12 | 10546-A | - | - | * | * | 1 | 押え棒抱き下板 | TENSION RELEASE SLIDE |
| 13 | 10547 | - | - | * | * | 1 | 押え棒抱き下板ばね | TENSION RELEASE SPRING |
| 14 | 18480 | - | - | * | * | 1 | くの字止めねじ | LIFTING BELL CRANK SCREW 11/64X40 L=8.0 |
| 15 | 13360 | * | * | * | * | 1 | 押え棒抱きリング | PRESSER BAR SPRING BRACKET |
| 16 | 13365 | * | * | * | * | 1 | 押え棒抱きリング締めねじ | PINCH SCREW M4X0.7 L=9.0 |
| 17 | 10659 | * | * | * | * | 1 | 押え上げレバー | PRESSER BAR LIFTER |
| 18 | 10660 | * | * | * | * | 1 | 押え上げレバーピンねじ | HINGE SCREW 4.5X32 |
| 19 | 10796 | - | - | * | * | 1 | 外押え | LIFTING PRESSER FOOT |
| 20 | 10664 | - | - | * | * | 1 | 外押え止めねじ | SCREW 3.4X36 L=9.0 |
| 21 | 19425 | - | - | * | * | 1 | 横軸 | LIFTING ROCK SHAFT |
| 22 | 10514 | - | - | * | * | 2 | 横軸メタル | LIFTING ROCK SHAFT BUSHING |
| 23 | 16709 | - | - | * | * | 1 | 横軸ピンねじ | SCREW 1/4X28 |
| 24 | 19516 | - | - | * | * | 1 | 横軸ピンねじナット | NUT 1/4X28 |
| 25 | 10728 | - | - | * | * | 1 | 横軸ピンねじ油芯 | OIL WICK |
| 26 | 10558C | - | - | * | * | 1 | くの字セット | LIFTING BELL CRANK COMPLETE |
| 27 | 10558 | - | - | * | * | 1 | くの字 | LIFTING BELL CRANK |
| 28 | 10557 | - | - | * | * | 1 | くの字連結 (大) | LIFTING BELL CRANK LINK |
| 29 | 10556 | - | - | * | * | 1 | くの字連結 (小) | VIBRATING PRESSER BAR CONNECTING LINK |
| 30 | 34713 | - | - | * | * | 1 | 中押え棒 | VIBRATING PRESSER BAR |
| 31 | 10554 | - | - | * | * | 1 | 中押えスプリング | VIBRATING PRESSER BAR EXTENSION SPRING |
| 32 | 10553-A | - | - | * | * | 1 | 中押えスプリング棒 | VIBRATING PRESSER BAR EXTENSION |
| 33 | 15060 | - | - | * | * | 1 | 中押え棒押しねじ | SCREW 5/16X24 L=16.0 |
| 34 | 15118 | - | - | * | * | 1 | 振れ止角玉 | VIBRATING PRESSER BAR SLIDE BLOCK |
| 35 | 19411C | - | - | * | * | 1 | 中押え (組) | VIBRATING PRESSER FOOT COMPLETE |
| 36 | 19411 | - | - | * | * | 1 | 中押え | VIBRATING PRESSER FOOT |
| 37 | 17104 | - | - | * | * | 1 | 中押え止めねじ | PINCH SCREW 11/64X40 L=6.0 |
| 38 | 10548-A | - | - | * | * | 1 | 押え棒抱き振れ止め板 | LIFTING BRACKET GUIDE BLOCK |
| 39 | 10519 | - | - | * | * | 1 | 止めねじ | PINCH SCREW 6.75X24 L=17.5 |
| 40 | 15111 | - | - | * | * | 1 | ピン | PIN |
| 41 | 19419 | - | - | * | * | 1 | 上下カム連結だるま | LIFTING ECCENTRIC CONNECTING CRANK |
| 42 | 19420 | - | - | * | * | 1 | 上下カム連結だるま締めねじ | PINCH SCREW 1/4X28 L=16.0 |
| 43 | 10775 | - | - | * | * | 1 | 上連結ロッド段ねじ | HINGE SCREW 7/32X32 |
| 44 | 10703 | - | - | * | * | 1 | 上連結ロッド段ねじワッシャー | WASHER |
| 45 | 10774 | - | - | * | * | 1 | 上連結ロッドパイプ | LIFTING ECCENTRIC CONNECTION COLLAR |
| 46 | 10776 | - | - | * | * | 1 | 上連結ロッド蝶ナット | NUT 7/32X32 |
| 47 | 10857 | * | * | - | - | 1 | 押え棒抱き | PRESSER BAR LIFTING BRACKET |
| 48 | 10858 | * | * | - | - | 1 | 割ワッシャー | WASHER |
| 49 | 10862 | * | * | - | - | 1 | 押え金 | PRESSER FOOT |
| 50 | 10664 | * | * | - | - | 1 | 押え金止めねじ | PRESSER FOOT SCREW 3.4X36 L=9.0 |
| 51 | 10548 | * | * | - | - | 1 | 大安定ねじ | LIFTING BRACKET GUIDE SCREW 6.75X24 |

針棒土台、連結ロッド

NEEDLE BAR ROCK FRAME, ROCK SHAFT CRANK CONNECTION



From the library of: Diamond Needle Corp

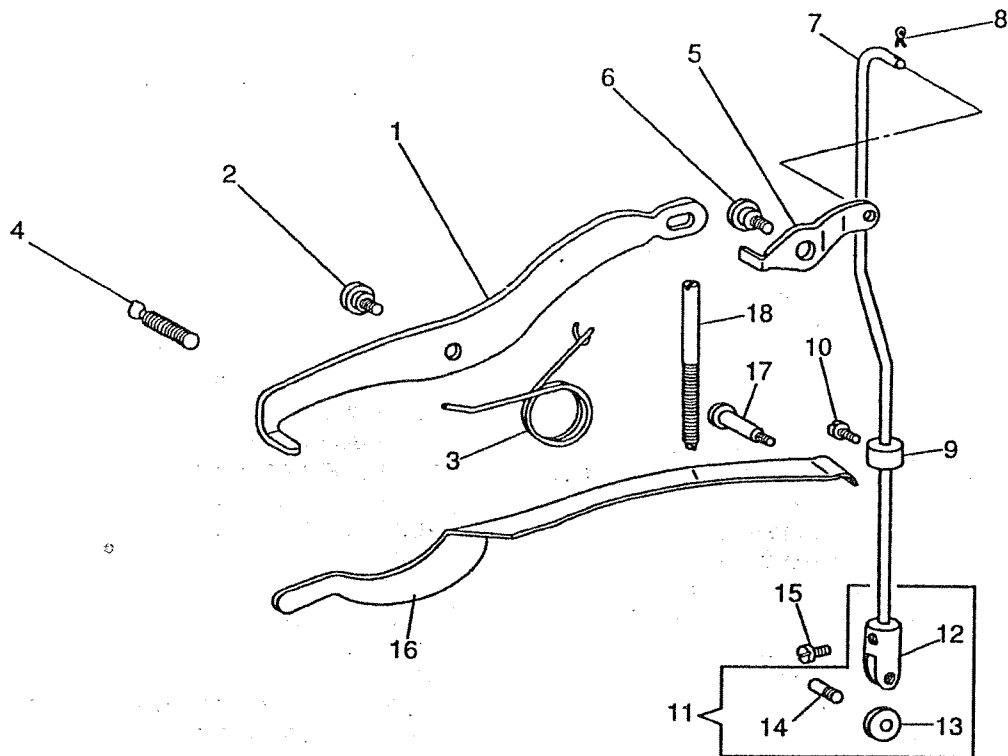
針棒土台、連結ロッド

NEEDLE BAR ROCK FRAME, ROCK SHAFT CRANK CONNECTION

| NO | 部品番号 PART NO | 254B-3 | 254RB-3 | 255B-3 | 255RB-3 | 数量 QTY | 品名 | PARTS NAME |
|----|-----------------|--------|---------|--------|---------|-----------|------------------|--|
| 1 | 15305 | * | * | - | - | 1 | 針棒土台 | NEEDLE BAR ROCK FRAME |
| 1 | 15110-A | - | - | * | * | 1 | 針棒土台 | NEEDLE BAR ROCK FRAME |
| 2 | 11875 | * | * | * | * | 1 | 針棒土台ピン | HINGE STUD |
| 3 | 10525 | * | * | * | * | 1 | 止めねじ | SET SCREW 6.75X24 L=9.0 |
| 4 | 15117 | - | - | * | * | 1 | 振れ止板 | SLIDE BLOCK PLATE |
| 5 | 8100 | - | - | * | * | 2 | 振れ止板止めねじ | SCREW 9/64X40 L=6.5 |
| 6 | 15031 | * | * | * | * | 1 | 針棒土台油芯 | OIL WICK |
| 7 | 10560 | * | * | * | * | 1 | イケール | NEEDLE BAR ROCK FRAME POSITION BRACKET |
| 8 | 10561 | * | * | * | * | 1 | 止めねじ | LIFTING BRACKET GUIDE SCREW 11/64X32 L=6.5 |
| 9 | 10859 | * | * | - | - | 1 | 針棒 | NEEDLE BAR |
| 9 | 16703 | - | - | * | * | 1 | 針棒 | NEEDLE BAR |
| 10 | 10860 | * | * | - | - | 1 | 針棒糸掛 | NEEDLE BAR THREAD GUIDE |
| 10 | 15089 | - | - | * | * | 1 | 針棒糸掛 | NEEDLE BAR THREAD GUIDE |
| 11 | 10535 | * | * | - | - | 1 | 針止めねじ | NEEDLE SET SCREW 3.4X36 L=4.5 |
| 11 | B140553 | - | - | * | * | 1 | 針止めねじ | NEEDLE SET SCREW 1/8X40 L=4.5 |
| 12 | N0122 | * | * | * | * | 1 | 針 | NEEDLE |
| 13 | 10856 | * | * | - | - | 1 | 針棒抱き | NEEDLE BAR CONNECTING STUD |
| 13 | 19426 | - | - | * | * | 1 | 針棒抱き | NEEDLE BAR CONNECTING STUD |
| 14 | 10532 | * | * | - | - | 1 | 針棒抱き締めねじ | PINCH SCREW 5/32X40 L=9.0 |
| 14 | 13365 | - | - | * | * | 1 | 針棒抱き締めねじ | PINCH SCREW M4X0.7 L=9.0 |
| 15 | 10726 | * | * | * | * | 1 | 針棒抱き油芯 | OIL WICK |
| 16 | 10578 | * | * | * | * | 1 | 上送り竿 | NEEDLE BAR ROCK FRAME ROCK SHAFT |
| 17 | 11876C | * | * | * | * | 1 | 上送り竿角玉 (組) | SLIDE BLOCK COMPLETE |
| 18 | 11877 | * | * | * | * | 1 | 上送り竿角玉 | SLIDE BLOCK |
| 19 | 11876 | * | * | * | * | 1 | 上送り竿ピンねじ | SLIDE BLOCK STUD |
| 20 | 10581 | * | * | * | * | 1 | 上送り竿ピンねじ止めねじ | SET SCREW 7/32X32 L=7.0 |
| 21 | 15016 | * | * | * | * | 1 | 連結 | ROCK SHAFT CRANK |
| 22 | 10519 | * | * | * | * | 1 | 連結締めねじ | PINCH SCREW 6.75X24 L=17.5 |
| 23 | 10756 | * | * | * | * | 1 | 連結ロッド | ROCK SHAFT CRANK CONNECTION |
| 24 | 10728 | * | * | * | * | 1 | 連結ロッド油芯 | OIL WICK |
| 25 | 8014 | * | * | * | * | 1 | 連結ロッド皿ねじ (小) | HINGE SCREW 9/32X28 L=13.1 |
| 26 | 8105 | * | * | * | * | 1 | 連結ロッド皿ねじ (小) ナット | NUT 9/32X28 |
| 27 | 10758 | * | * | * | * | 1 | 連結ロッド皿ねじ (大) | HINGE SCREW 11/32X28 L=26.0 |
| 28 | 15017 | * | * | * | * | 1 | 送り調節パイプ | NEEDLE BAR ROCK FRAME REGULATING PIPE |
| 29 | 15019 | * | * | * | * | 1 | 送り竿後だるま | FEED ROCK SHAFT CRANK |
| 30 | 10754 | * | * | * | * | 1 | 送り竿後だるま締めねじ | PINCH SCREW 6.75X24 L=16.0 |
| 31 | 15018 | * | * | * | * | 1 | 調節パイプワッシャ | WASHER |
| 32 | 3036 | * | * | * | * | 1 | 連結ロッド皿ねじ (大) ナット | NUT 11/32X28 |
| 33 | 10779 | * | * | * | * | 1 | 油芯押え割ピン | CLIP |
| 34 | 10778 | * | * | * | * | 1 | 油芯 | OIL WICK |
| 35 | 4221 | * | * | * | * | 1 | 油芯押え | OIL WICK RETAINER |
| 36 | 15007 | * | * | * | * | 1 | 糸調子棒 (短) 止めねじ | SCREW 9/64X40 L=10.0 |

大弓、押工棒大板バネ

KNEE LIFTER LIFTING LEVER, PRESSER BAR SPRING



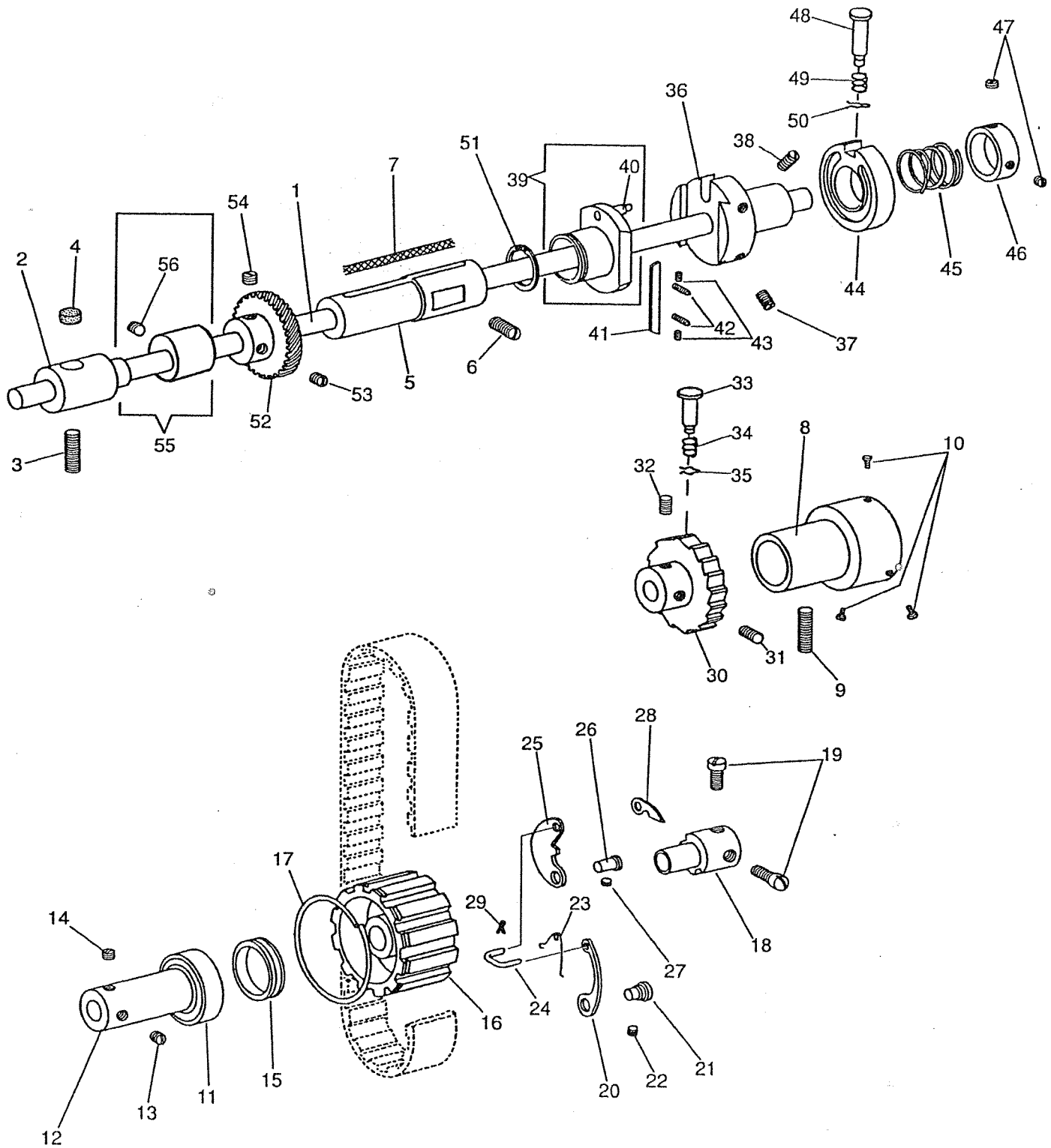
大弓、押工棒大板バネ

KNEE LIFTER LIFTING LEVER, PRESSER BAR SPRING

| NO | 部品番号 PART NO | 254B-3 | 254RB-3 | 255B-3 | 255RB-3 | 数量 QTY | 品名 | PARTS NAME |
|----|-----------------|--------|---------|--------|---------|-----------|---------------|--|
| 1 | 10710 | * | * | * | * | 1 | 大弓 | KNEE LIFTER LIFTING LEVER |
| 2 | 10712 | * | * | * | * | 1 | 大弓止めねじ | HINGE SCREW 6.75X24 |
| 3 | 13059 | * | * | * | * | 1 | 弓ばね | SPRING |
| 4 | 11154 | * | * | * | * | 1 | 弓ばね止めねじ | SCREW 6.75X24 |
| 5 | 10711 | * | * | * | * | 1 | 小弓 | KNEE LIFTER CONNECTING LEVER |
| 6 | 10712 | * | * | * | * | 1 | 小弓止めねじ | HINGE SCREW 6.75X24 |
| 7 | 15075 | * | * | - | - | 1 | 吊り棒 | KNEE LIFTER CONNECTING LEVER LIFTING ROD |
| 7 | 15074 | - | - | * | * | 1 | 吊り棒 | KNEE LIFTER CONNECTING LEVER LIFTING ROD |
| 8 | 15076 | * | * | * | * | 1 | 吊り棒止めピン | SET PIN |
| 9 | 10714 | * | * | * | * | 1 | 吊り棒カラー | LIFTING ROD COLLAR |
| 10 | 10561 | * | * | * | * | 1 | 吊り棒カラー止めねじ | LIFTING BRACKET GUIDE SCREW 11/64X32 L=6.5 |
| 11 | 10717C | * | * | * | * | 1 | 吊り棒土台(組) | LIFTING ROD ROLLER BRACKET COMPLETE |
| 12 | 10717 | * | * | * | * | 1 | 吊り棒土台 | LIFTING ROD ROLLER BRACKET |
| 13 | 10718 | * | * | * | * | 1 | 吊り棒土台ローラー | LIFTING ROD ROLLER |
| 14 | 10719 | * | * | * | * | 1 | 吊り棒土台ローラー止めねじ | SCREW 3.4X36 |
| 15 | 10561 | * | * | * | * | 1 | 吊り棒土台止めねじ | LIFTING BRACKET GUIDE SCREW 11/64X32 L=6.5 |
| 16 | 10705 | * | * | * | * | 1 | 押え棒大板ばね | PRESSER BAR SPRING (FLAT) |
| 17 | 10706 | * | * | * | * | 1 | 大板ばね受けねじ | PRESSER BAR SPRING SUPPORT SCREW |
| 18 | 11156 | * | * | * | * | 1 | 大板ばね調節ねじ | PRESSER BAR SPRING REGULATING SCREW |

下軸、下ベルトプーリー、送りカム

HOOK DRIVING SHAFT, SAFETY CLUTCH PULLEY, FEED DRIVING CAM



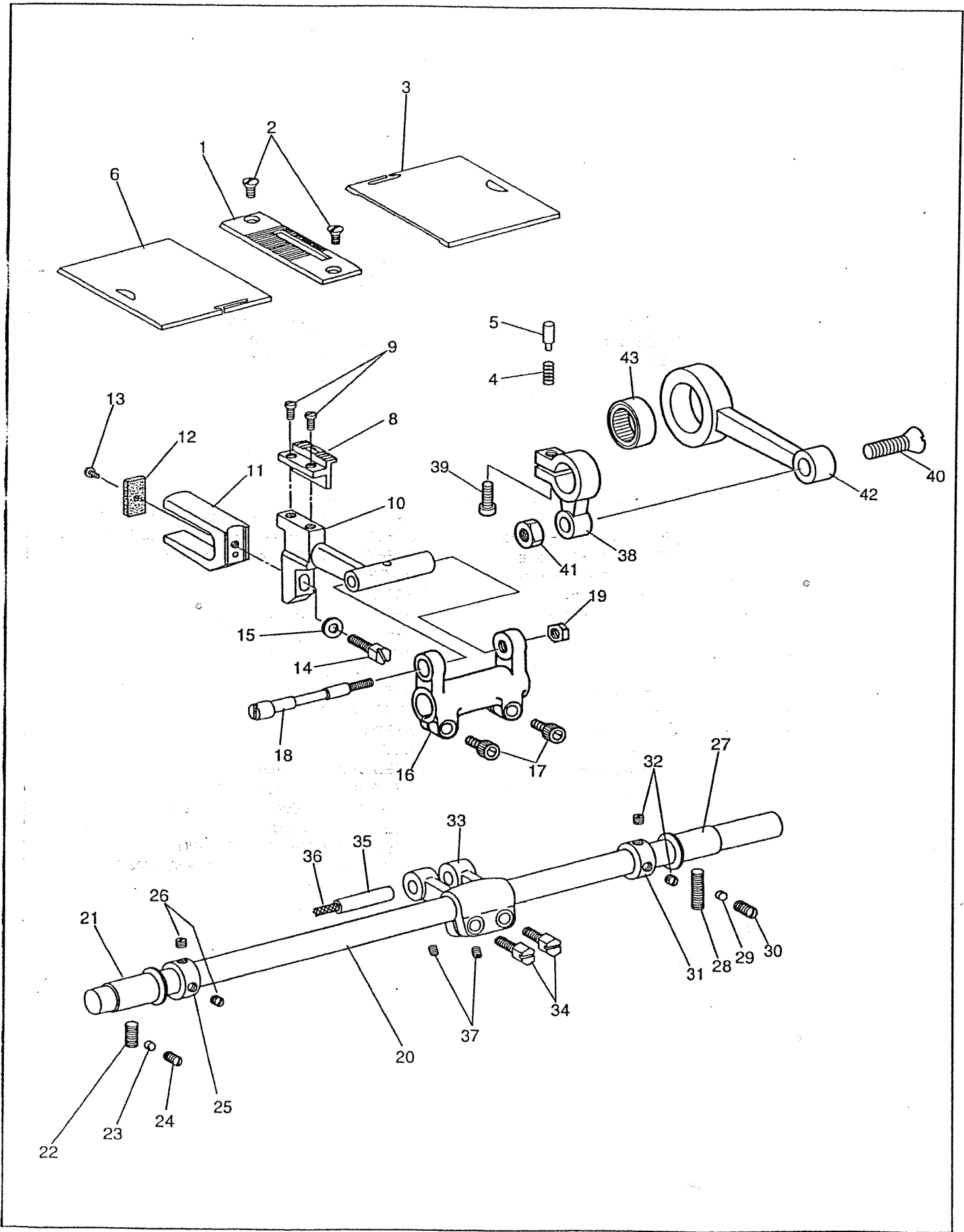
From the library of: Diamond Needle Corp

下軸、下ベルトプーリー、送りカム

HOOK DRIVING SHAFT, SAFETY CLUTCH PULLEY, FEED DRIVING CAM

| NO | 部品番号 PART NO | 254B-3 | 254RB-3 | 255B-3 | 255RB-3 | 数量 QTY | 品名 | PARTS NAME |
|----|-----------------|--------|---------|--------|---------|-----------|-----------------|---------------------------------------|
| 1 | 10603 | * | * | * | * | 1 | 下軸 | HOOK DRIVING SHAFT |
| 2 | 10782 | * | * | * | * | 1 | 下軸 (前) メタル | HOOK DRIVING SHAFT BUSHING (FRONT) |
| 3 | 10571 | * | * | * | * | 1 | 止めねじ | SET SCREW 6.75X24 L=20.0 |
| 4 | 11080 | * | * | * | * | 1 | 下軸 (前) メタルフェルト | OILING FELT |
| 5 | 10605 | * | * | * | * | 1 | 下軸 (中間) メタル | HOOK DRIVING SHAFT BUSHING (MIDDLE) |
| 6 | 10522 | * | * | * | * | 1 | 止めねじ | SET SCREW 6.75X24 L=14.0 |
| 7 | 10729 | * | * | * | * | 1 | メタル油芯 | OIL WICK |
| 8 | 30157 | * | * | * | * | 1 | 下軸ベアリングケース | HOOK DRIVING SHAFT BUSHING (BACK) |
| 9 | 10571 | * | * | * | * | 1 | 止めねじ | SET SCREW 6.75X24 L=20.0 |
| 10 | 10609 | * | * | * | * | 3 | 溝付リング止めねじ | SCREW 3.4X36 L=5.0 |
| 11 | 10567 | * | * | * | * | 1 | 下軸ベアリング | BALL BEARING |
| 12 | 10607 | * | * | * | * | 1 | 下軸ベアリングカラー | COLLAR |
| 13 | 10566 | * | * | * | * | 1 | 止めねじ | SET SCREW 1/4X32 L=5.5 |
| 14 | 10658 | * | * | * | * | 1 | 位置決めねじ | POSITION SCREW 1/4X32 L=5.5 |
| 15 | 10608 | * | * | * | * | 1 | 溝付リング | BALL BEARING RETAINING WASHER |
| 16 | 10610-01 | * | * | * | * | 1 | 下ベルトプーリー | SAFETY CLUTCH PULLEY |
| 17 | 10574 | * | * | * | * | 1 | プーリーリング | PULLEY SPRING FLANGE |
| 18 | 10611 | * | * | * | * | 1 | 下ベルトプーリー心棒 | SAFETY CLUTCH COLLAR |
| 19 | 10612 | * | * | * | * | 2 | 止めねじ | SCREW 1/4X32 L=10.5 |
| 20 | 10615 | * | * | * | * | 1 | 下ベルトプーリー板ばね | SAFETY CLUTCH LOCKING LEVER SPRING |
| 21 | 10614 | * | * | * | * | 1 | 下ベルトプーリー段ピン | HINGE PIN |
| 22 | 10581 | * | * | * | * | 1 | 下ベルトプーリー段ピン止めねじ | SCREW 7/32X32 L=7.0 |
| 23 | 10619 | * | * | * | * | 1 | 下ベルトプーリースプリング | SAFETY CLUTCH THROW IN LATCH SPRING |
| 24 | 10618 | * | * | * | * | 1 | 下ベルトプーリー小連結 | SAFETY CLUTCH RATCHET CONNECTING LINK |
| 25 | 10616 | * | * | * | * | 1 | 下ベルトプーリー掛金 | SAFETY CLUTCH LOCKING LEVER |
| 26 | 10613 | * | * | * | * | 1 | 下ベルトプーリー掛金ピン | HINGE STUD |
| 27 | 10581 | * | * | * | * | 1 | 掛金ピン止めねじ | SCREW 7/32X32 L=7.0 |
| 28 | 10617 | * | * | * | * | 1 | 下ベルトプーリー小爪 | SAFETY CLUTCH RATCHET |
| 29 | 10620 | * | * | * | * | 1 | 下ベルトプーリー割ピン | SAFETY CLUTCH THROW IN LATCH PIN |
| 30 | 10622 | * | * | * | * | 1 | 爪車 | HOOK DRIVING SHAFT LOCK RATCHET |
| 31 | 10766 | * | * | * | * | 1 | 止めねじ | SET SCREW 1/4X32 L=7.0 |
| 32 | 10639 | * | * | * | * | 1 | 位置決めねじ | POSITION SCREW 1/4X32 L=8.0 |
| 33 | 10672 | * | * | * | * | 1 | 押しボタン (小) | FEED REGULATING STUD (SMALL) |
| 34 | 10673 | * | * | * | * | 1 | スプリング | SPRING |
| 35 | 10674 | * | * | * | * | 1 | 止メピン | CLIP |
| 36 | 10627 | * | * | * | * | 1 | 送りカム土台 | FEED DRIVING FLANGE |
| 37 | 10765 | * | * | * | * | 1 | 止めねじ | SET SCREW 1/4X32 L=11.0 |
| 38 | 10628 | * | * | * | * | 1 | 位置決めねじ | POSITION SCREW 1/4X32 L=12.0 |
| 39 | 15022 | * | * | * | * | 1 | 送りカム | FEED DRIVING CAM |
| 40 | 10634 | * | * | * | * | 1 | 送りカムかしめピン | FEED DRIVING ECCENTRIC PIN |
| 41 | 10631 | * | * | * | * | 1 | カミノリ | FEED DRIVING ECCENTRIC FRICTION GIB |
| 42 | 10629 | * | * | * | * | 2 | 止めねじ | SCREW 1/8X40 L=8.0 |
| 43 | 10630 | * | * | * | * | 2 | 位置決めねじ | POSITION SCREW 1/8X40 L=5.0 |
| 44 | 10626 | * | * | * | * | 1 | 渦巻きカム | FEED DRIVING ECCENTRIC ADJUSTING DISC |
| 45 | 10625 | * | * | * | * | 1 | 押しリングスプリング | SPRING |
| 46 | 10623 | * | * | * | * | 1 | 押しリング | COLLAR |
| 47 | 10566 | * | * | * | * | 2 | 止めねじ | SET SCREW 1/4X32 L=5.5 |
| 48 | 10671 | * | * | * | * | 1 | 押しボタン (大) | FEED REGULATING STUD (LARGE) |
| 49 | 10673 | * | * | * | * | 1 | スプリング | SPRING |
| 50 | 10674 | * | * | * | * | 1 | 止めピン | CLIP |
| 51 | 15023 | * | * | * | * | 1 | 止め輪 | RETAINING RING |
| 52 | 10638 | * | * | * | * | 1 | 大ギヤー | HOOK DRIVING GEAR |
| 53 | 10639 | * | * | * | * | 1 | 位置決めねじ | POSITION SCREW 1/4X32 L=8.0 |
| 54 | 10766 | * | * | * | * | 1 | 止めねじ | SET SCREW 1/4X32 L=7.0 |
| 55 | 10637 | * | * | * | * | 1 | 送り上下カムねじ付 | FEED LIFTING CAM COMPLETE |
| 56 | 10658 | * | * | * | * | 1 | 止めねじ | SET SCREW 1/4X32 L=5.5 |

針板、送り土台、送り軸
THROAT PLATE, FEED BAR, FEED ROCK SHAFT



From the library of: Diamond Needle Corp

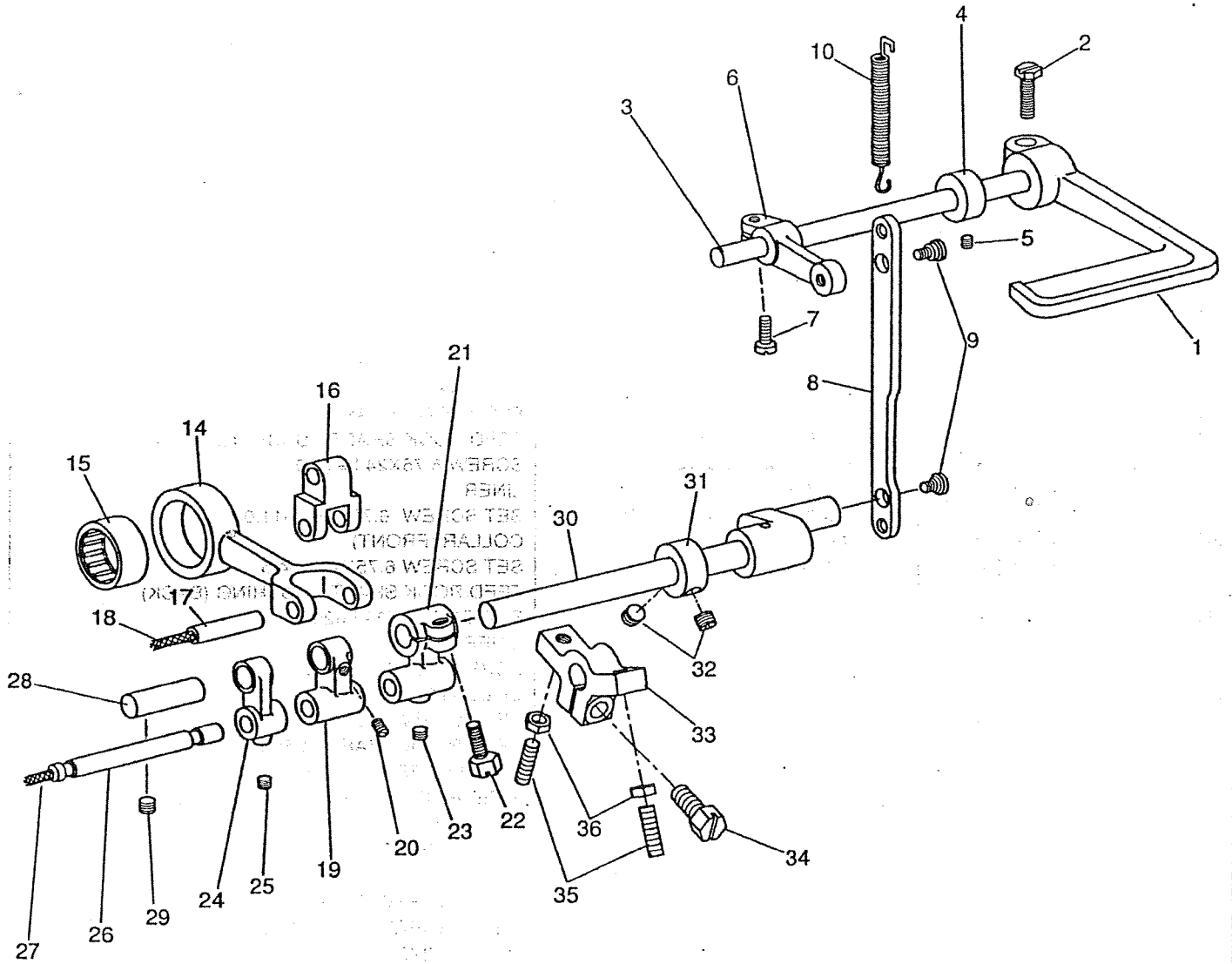
針板、送り土台、送り軸

THROAT PLATE, FEED BAR, FEED ROCK SHAFT

| NO | 部品番号 PART NO | 254B-3 | 254RB-3 | 255B-3 | 255RB-3 | 数量 QTY | 品名 | PARTS NAME |
|----|-----------------|--------|---------|--------|---------|-----------|------------------|-----------------------------------|
| 1 | 10863 | * | * | - | - | 1 | 針板 | THROAT PLATE |
| 1 | 10665 | - | - | * | * | 1 | 針板 | THROAT PLATE |
| 2 | 6031-01 | * | * | * | * | 2 | 針板止めねじ | SCREW 11/64X40 L=9.0 |
| 3 | 15056 | * | * | * | * | 1 | 角板(右) | BED SLIDE (RIGHT) |
| 4 | 10668 | * | * | * | * | 1 | 角板スプリング | SPRING |
| 5 | 10667 | * | * | * | * | 1 | 角板ピン | PIN |
| 6 | 10669 | * | * | * | * | 1 | 角板(左) | BED SLIDE (LEFT) |
| 7 | | | | | | | | |
| 8 | 10864 | * | - | - | - | 1 | 送り歯 | FEED DOG |
| 8 | 10867 | - | * | - | - | 1 | 送り歯 | FEED DOG |
| 8 | 10805 | - | - | * | * | 1 | 送り歯 | FEED DOG |
| 9 | 10601 | * | * | * | * | 2 | 送り歯止めねじ | SCREW 1/8X40 L=7.0 |
| 10 | 10594 | * | * | * | * | 1 | 送り土台 | FEED BAR |
| 11 | 10595 | * | * | * | * | 1 | コの字 | FEED LIFTING CAM FORK |
| 12 | 10596 | * | * | * | * | 1 | コの字フェルト | OILING FELT |
| 13 | 10597 | * | * | * | * | 1 | 止めねじ | SCREW 1/8X40 L=3.3 |
| 14 | 70129 | * | * | * | * | 1 | コの字止めねじ | SCREW 7/32X32 L=15.0 |
| 15 | 10599 | * | * | * | * | 1 | コの字ワッシャー | WASHER |
| 16 | 16704 | * | * | * | * | 1 | 送り腕 | FEED DRIVING ROCK FRAME |
| 17 | 18065 | * | * | * | * | 2 | 送り腕締めねじ | PINCH SCREW M5X0.8 L=14.0 |
| 18 | 16705 | * | * | * | * | 1 | 送り土台ピンねじ | FEED BAR HINGE PIN |
| 19 | 16706 | * | * | * | * | 1 | 送り土台ピンねじナット | NUT 1/4X28 |
| 20 | 11888 | * | * | * | * | 1 | 送り軸 | FEED ROCK SHAFT |
| 21 | 10588 | * | * | * | * | 1 | 送り軸メタル (前) | FEED ROCK SHAFT BUSHING (FRONT) |
| 22 | 10522 | * | * | * | * | 1 | メタル (前) 止めねじ | SCREW 6.75X24 L=14.0 |
| 23 | 11068 | * | * | * | * | 1 | ライナー | LINER |
| 24 | 10761 | * | * | * | * | 1 | メタル (前) 止めねじ(補助) | SET SCREW 6.75X24 L=11.0 |
| 25 | 10593 | * | * | * | * | 1 | 送り軸カラー(前) | COLLAR (FRONT) |
| 26 | 10764 | * | * | * | * | 2 | 止めねじ | SET SCREW 6.75X24 L=4.5 |
| 27 | 10763 | * | * | * | * | 1 | 送り軸 (後) メタル | FEED ROCK SHAFT BUSHING (BACK) |
| 28 | 10571 | * | * | * | * | 1 | メタル (後) 止めねじ | SCREW 6.75X24 L=20.0 |
| 29 | 11068 | * | * | * | * | 1 | ライナー | LINER |
| 30 | 10525 | * | * | * | * | 1 | メタル (後) 止めねじ(補助) | SCREW 6.75X24 L=9.0 |
| 31 | 10593 | * | * | * | * | 1 | 送り軸カラー(後) | COLLAR (BACK) |
| 32 | 10764 | * | * | * | * | 2 | 止めねじ | SET SCREW 6.75X24 L=4.5 |
| 33 | 16708 | - | * | - | * | 1 | 送り軸前だるま | FEED ROCK SHAFT CRANK |
| 34 | 19420 | - | * | - | * | 2 | 送り軸前だるま締めねじ | PINCH SCREW 1/4X28 L=16.0 |
| 35 | 11962 | - | * | - | * | 1 | 送り軸前だるまピン | FEED ROCK SHAFT CRANK STUD |
| 36 | 11954 | - | * | - | * | 1 | 送り軸前だるまピン油芯 | OIL WICK |
| 37 | 11953 | - | * | - | * | 2 | 送り軸前だるまピン止めねじ | SET SCREW 7/32X32 L=5.5 |
| 38 | 15027 | * | - | * | - | 1 | 送り軸前だるま | FEED ROCK SHAFT CRANK |
| 39 | 10754 | * | - | * | - | 1 | 送り軸前だるま締めねじ | PINCH SCREW 6.75X24 L=16.0 |
| 40 | 10758 | * | - | * | - | 1 | 下送りロッド皿ねじ | HINGE SCREW 11/32X28 L=26.0 |
| 41 | 3036 | * | - | * | - | 1 | 下送りロッド皿ねじナット | NUT 11/32X28 |
| 42 | 15021 | * | - | * | - | 1 | 下送りロッド | FEED DRIVING ECCENTRIC CONNECTION |
| 43 | 10773 | * | - | * | - | 1 | 下送りロッドニードルベアリング | NEEDLE BEARING |

バックレバー、下送りロッド

FEED REVERSING LEVER, FEED DRIVING ECCENTRIC CONNECTION

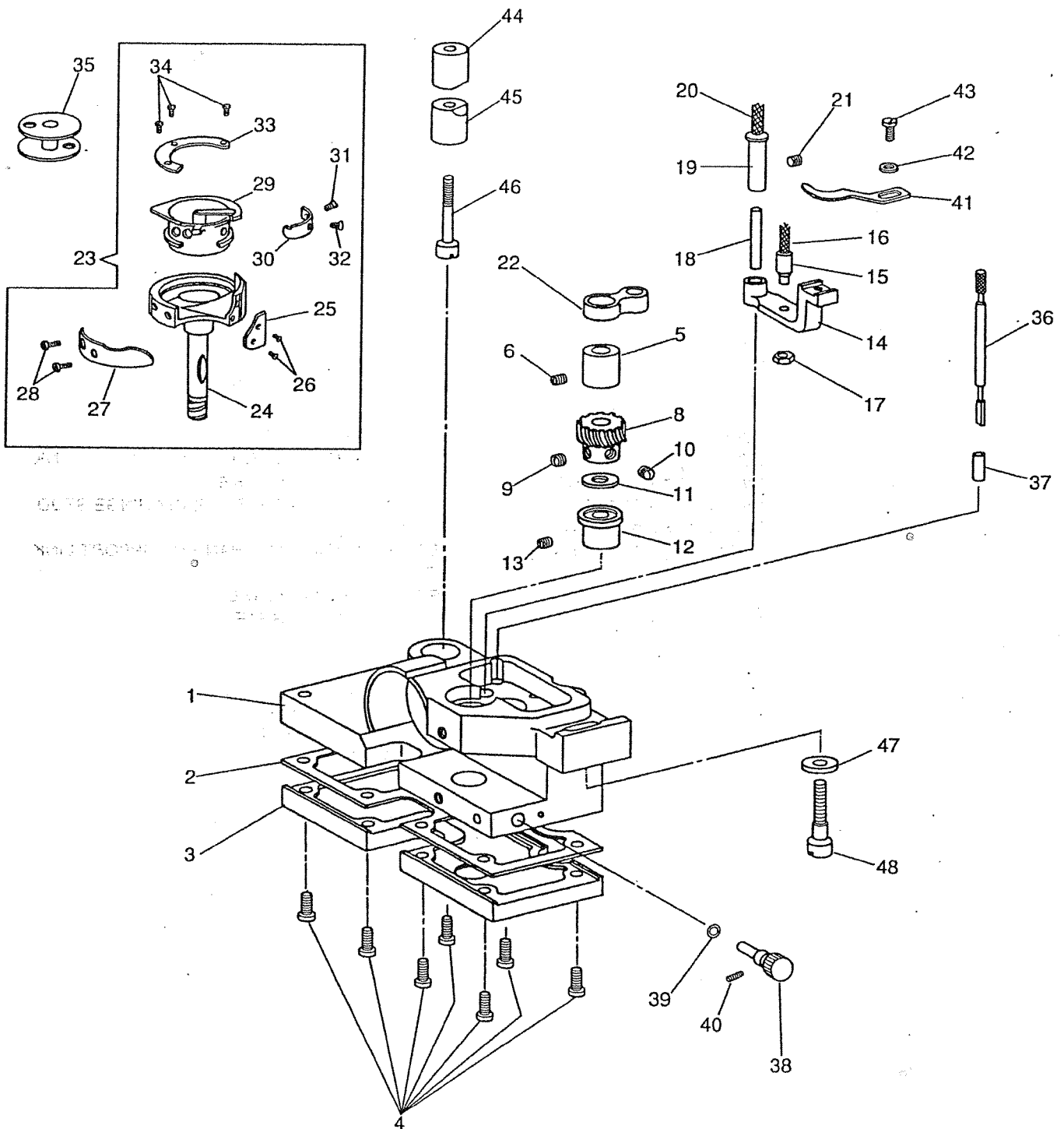


バックレバー、下送りロッド

FEED REVERSING LEVER, FEED DRIVING ECCENTRIC CONNECTION

| NO | 部品番号 PART NO | 254B-3 | 254RB-3 | 255B-3 | 255RB-3 | 数量 QTY | 品名 | PARTS NAME |
|----|-----------------|--------|---------|--------|---------|-----------|-----------------|---|
| 1 | 34031 | - | * | - | * | 1 | バックレバー | FEED REVERSING LEVER |
| 2 | 10845 | - | * | - | * | 1 | バックレバー締めねじ | SCREW 15/64X28 L=18.0 |
| 3 | 15208 | - | * | - | * | 1 | バックレバー軸 | FEED REVERSING LEVER SHAFT |
| 4 | 10802 | - | * | - | * | 1 | バックレバー軸カラー | COLLAR |
| 5 | 8009 | - | * | - | * | 1 | 止めねじ | SET SCREW 15/64X28 L=7.5 |
| 6 | 11942 | - | * | - | * | 1 | レバー軸だるま | FEED REVERSING LEVER SHAFT CRANK |
| 7 | 1365 | - | * | - | * | 1 | レバー軸だるま締めねじ | PINCH SCREW 15/64X28 L=16.0 |
| 8 | 11943 | - | * | - | * | 1 | バック連結ロッド | FEED REVERSING CONNECTION ROD |
| 9 | 10712 | - | * | - | * | 2 | バック連結ロッド段ねじ | HINGE SCREW 6.75X24 |
| 10 | 10806 | - | * | - | * | 1 | バックレバー戻ばね | FEED REVERSING LEVER SPRING |
| 11 | | | | | | | | |
| 12 | | | | | | | | |
| 13 | | | | | | | | |
| 14 | 11951 | - | * | - | * | 1 | 下送りロッド | FEED DRIVING ECCENTRIC CONNECTION |
| 15 | 10773 | - | * | - | * | 1 | 下送りロッドニードルベアリング | NEEDLE BEARING |
| 16 | 11955 | - | * | - | * | 1 | 二又リンク | FEED DRIVING ECCENTRIC CONNECTION LINK |
| 17 | 11952 | - | * | - | * | 1 | 下送りロッドピン | HINGE PIN |
| 18 | 11954 | - | * | - | * | 1 | 下送りロッドピン油芯 | OIL WICK |
| 19 | 11956 | - | * | - | * | 1 | メガネリンク | FEED REVERSING SHAFT CRANK LINK |
| 20 | 11953 | - | * | - | * | 1 | メガネリンク止めねじ | SET SCREW 7/32X32 L=5.5 |
| 21 | 16707 | - | * | - | * | 1 | 切換えクランク(右) | FEED REVERSING SHAFT CRANK |
| 22 | 19420 | - | * | - | * | 1 | 切換えクランク(右) 締めねじ | PINCH SCREW 1/4X28 L=16.0 |
| 23 | 11953 | - | * | - | * | 1 | 切換えクランク(右) 止めねじ | SET SCREW 7/32X32 L=5.5 |
| 24 | 11958 | - | * | - | * | 1 | 切換えクランク(左) | FEED REVERSING MECHANISM SUPPORT LINK |
| 25 | 11953 | - | * | - | * | 1 | 切換えクランク(左) 止めねじ | SET SCREW 7/32X32 L=5.5 |
| 26 | 31029 | - | * | - | * | 1 | 切換えクランクピン | FEED REVERSING SHAFT CRANK HINGE STUD |
| 27 | 11960 | - | * | - | * | 1 | 切換えクランクピン油芯 | OIL WICK |
| 28 | 11950 | - | * | - | * | 1 | 切換えクランク(左) 支え軸 | FEED REVERSING MECHANISM SUPPORT LINK STUD |
| 29 | 10766 | - | * | - | * | 1 | 止めねじ | SET SCREW 1/4X32 L=7.0 |
| 30 | 11946C | - | * | - | * | 1 | バック土台軸 | FEED REVERSING SHAFT |
| 31 | 11947 | - | * | - | * | 1 | カラー | COLLAR |
| 32 | 10566 | - | * | - | * | 2 | 止めねじ | SET SCREW 1/4X32 L=5.5 |
| 33 | 11948 | - | * | - | * | 1 | バック調節ブラケット | FEED REVERSING SHAFT BRACKET |
| 34 | 10754 | - | * | - | * | 1 | バック調節ブラケット止めねじ | SET SCREW 6.75X24 L=16.0 |
| 35 | 11949 | - | * | - | * | 2 | 制限ねじ | STOPPING SCREW M5X0.8 L=18.0 |
| 36 | 4135 | - | * | - | * | 2 | ナット | NUT M5X0.8 |

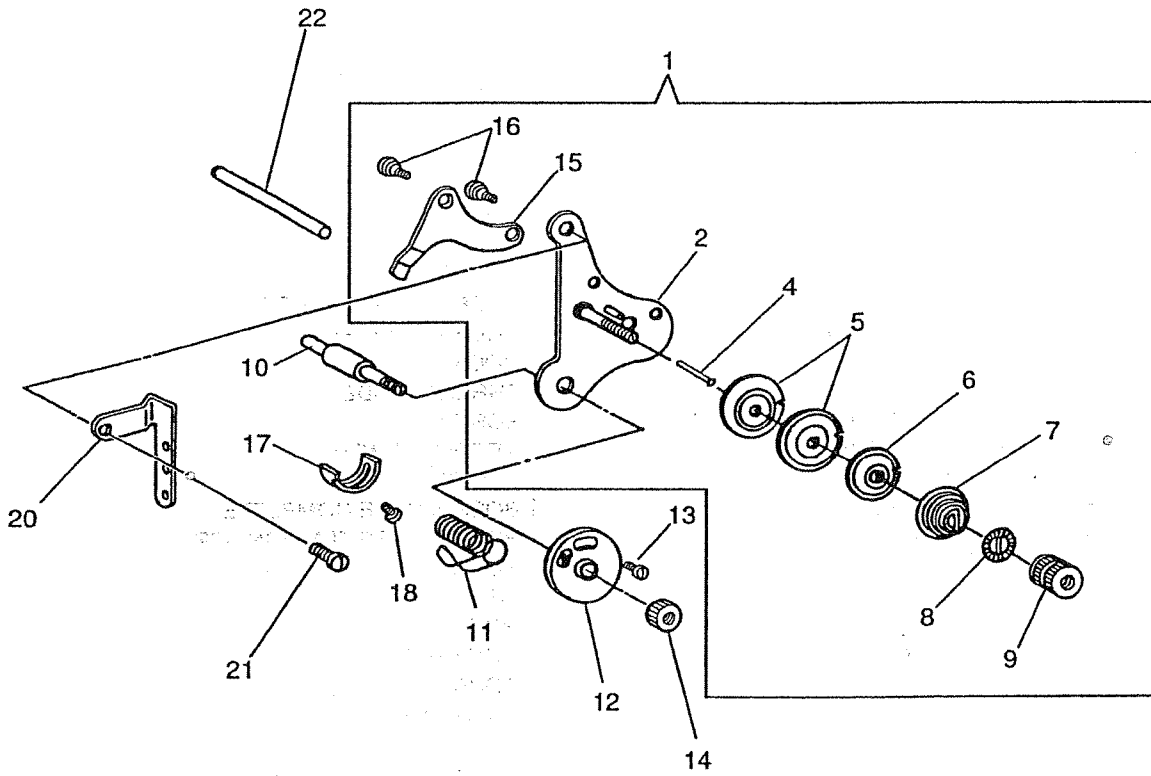
カマ土台、カマ
HOOK SADDLE, HOOK



カマ土台、カマ
HOOK SADDLE, HOOK

| NO | 部品番号 PART NO | 254RB-3 | 254RB-3 | 255RB-3 | 255RB-3 | 数量 QTY | 品名 | PARTS NAME |
|----|-----------------|---------|---------|---------|---------|-----------|----------------|-----------------------------------|
| 1 | 15090 | * | * | * | * | 1 | カマ土台 (右) | HOOK SADDLE (RIGHT) |
| 2 | 15092 | * | * | * | * | 1 | シートパッキン | PACKING |
| 3 | 15091 | * | * | * | * | 1 | カマ土台油タンク (右) | OIL RESERVIOR (RIGHT) |
| 4 | 15007 | * | * | * | * | 7 | 止めねじ | SCREW 9/64X40 L=10.0 |
| 5 | 15095 | * | * | * | * | 1 | カマ土台メタル (上) | BUSHING (UPPER) |
| 6 | 11176 | * | * | * | * | 1 | 止めねじ | SEREW 7/32X32 L=5.5 |
| 7 | | | | | | | | |
| 8 | 10657 | * | * | * | * | 1 | 小ギヤー | HOOK DRIVING PINION (SPIRAL) |
| 9 | 10658 | * | * | * | * | 1 | 位置決めねじ | POSITION SCREW 1/4X32 L=5.5 |
| 10 | 10767 | * | * | * | * | 1 | 止めねじ | SET SCREW 1/4X32 L=4.5 |
| 11 | 10644 | * | * | * | * | 1 | ワッシャー | WASHER |
| 12 | 15096 | * | * | * | * | 1 | カマ土台メタル (下) | BUSHING (LOWER) |
| 13 | 11176 | * | * | * | * | 1 | 止めねじ | SEREW 7/32X32 L=5.5 |
| 14 | 15049 | * | * | * | * | 1 | オープナー土台 | BOBBIN CASE OPENER LEVER |
| 15 | 10651 | * | * | * | * | 1 | めがねピン | OPENER LEVER DRIVING SCREW STUD |
| 16 | 10727 | * | * | * | * | 1 | めがねピンフェルト | FELT |
| 17 | 10652 | * | * | * | * | 1 | ナット | NUT 11/64X40 |
| 18 | 11137 | * | * | * | * | 1 | オープナー土台ピンパイプ | HINGE STUD OIL FURNISHING TUBE |
| 19 | 15050 | * | * | * | * | 1 | オープナー土台ピン | OPENER LEVER HINGE STUD |
| 20 | 10727 | * | * | * | * | 1 | オープナー土台ピンフェルト | FELT |
| 21 | 10573 | * | * | * | * | 1 | 止めねじ | SET SCREW 7/32X32 L=11.0 |
| 22 | 15051 | * | * | * | * | 1 | カマ連結メガネ | BOBBIN CASE LEVER LINK |
| 23 | 15040 | * | * | * | * | 1 | カマ (組) | HOOK COMPLETE |
| 24 | 16407-01 | * | * | * | * | 1 | 外カマ | HOOK |
| 25 | 16407-07 | * | * | * | * | 1 | 糸案内板 | THREAD GUIDE |
| 26 | 16407-08 | * | * | * | * | 2 | 止めねじ | SCREW |
| 27 | 16407-05 | * | * | * | * | 1 | 針受板 | NEEDLE GUARD |
| 28 | 16407-06 | * | * | * | * | 2 | 止めねじ | SCREW |
| 29 | 15040-02 | * | * | * | * | 1 | 内カマ | BOBBIN CASE COMPLETE |
| 30 | 15040-10 | * | * | * | * | 1 | 糸調子バネ | BOBBIN CASE TENSION SPRING |
| 31 | 16407-11 | * | * | * | * | 1 | 糸調子バネ止めねじ | SET SCREW |
| 32 | 16407-12 | * | * | * | * | 1 | 糸調子バネ調子ねじ | TENSION REGULATING SCREW |
| 33 | 15040-03 | * | * | * | * | 1 | 内カマ押え | HOOK GIB |
| 34 | 16407-04 | * | * | * | * | 3 | 内カマ押え止めねじ | HOOK GIB SCREW |
| 35 | 15041 | * | * | * | * | 1 | ボビン | BOBBIN |
| 36 | 15052 | * | * | * | * | 1 | オイルゲージ | OIL GAUGE |
| 37 | 11131 | * | * | * | * | 1 | オイルゲージ案内パイプ | OIL GAUGE GUIDE TUBE |
| 38 | 15093 | * | * | * | * | 1 | 油調節ダイヤル | OIL REGULATING SCREW |
| 39 | 15094 | * | * | * | * | 1 | Oリング | O-RING |
| 40 | 10629 | * | * | * | * | 1 | 油調節ダイヤル止めねじ | SET SCREW 1/8X40 L=8.0 |
| 41 | 15048 | * | * | * | * | 1 | ボビンケースオープナー | BOBBIN CASE OPENER |
| 42 | 10677 | * | * | * | * | 1 | ワッシャー | WASHER |
| 43 | 10650 | * | * | * | * | 1 | オープナー止めねじ | SCREW 3.4X36 L=6.0 |
| 44 | 11145 | * | * | * | * | 1 | カマ土台締付けカラー (上) | PINCH SLEEVE (UPPER) |
| 45 | 11146 | * | * | * | * | 1 | カマ土台締付けカラー (下) | PINCH SLEEVE (LOWER) |
| 46 | 11144 | * | * | * | * | 1 | カマ土台締付けねじ | PINCH SLEEVE SEREW 7/32X32 L=32.0 |
| 47 | 10647 | * | * | * | * | 1 | ワッシャー | WASHER |
| 48 | 10646 | * | * | * | * | 1 | カマ土台止めねじ | SCREW 6.75X24 L=28.0 |

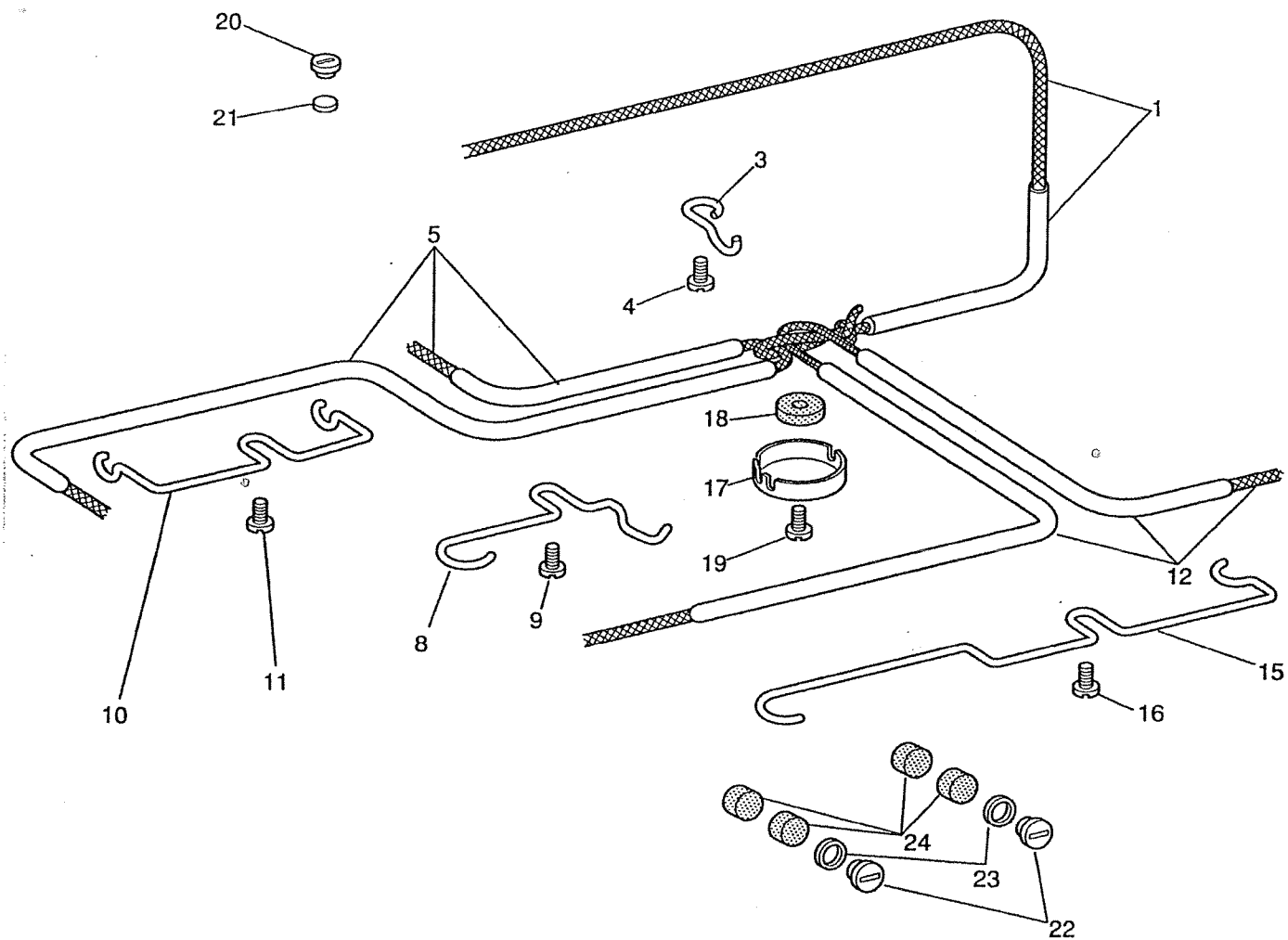
調子板
TENSION



調子板
TENSION

| NO | 部品番号 PART NO | 254B-3 | 254RB-3 | 255B-3 | 255RB-3 | 数量 QTY | 品名 | PARTS NAME |
|----|-----------------|--------|---------|--------|---------|-----------|------------------|-------------------------------|
| 1 | 19421C-A | * | * | * | * | 1 | 調子板組 (φ 1. 4) | TENSION BRACKET COMPLETE |
| 2 | 19421 | * | * | * | * | 1 | 調子板 | TENSION BRACKET |
| 3 | | | | | | | | |
| 4 | 10793 | * | * | * | * | 1 | 糸ゆるめ段ピン | TENSION RELEASE PIN |
| 5 | 19531 | * | * | * | * | 2 | 調子皿 | TENSION DISC |
| 6 | 19532 | * | * | * | * | 1 | 丸一皿 | TENSION RELEASE WASHER |
| 7 | 19533 | * | * | * | * | 1 | 渦巻スプリング (φ 1. 4) | TENSION SPRING |
| 8 | 28206 | * | * | * | * | 1 | ローレットストッパー | NUT WASHER |
| 9 | 19513 | * | * | * | * | 1 | ローレットナット | NUT 1/4X40 |
| 10 | 19512 | * | * | * | * | 1 | 糸調子棒 (短) | THREAD CONTROLLER STUD |
| 11 | 10689 | * | * | * | * | 1 | 糸引スプリング | THREAD CONTROLLER SPRING |
| 12 | 10694 | * | * | * | * | 1 | 二重皿 | THREAD CONTROLLER DISC |
| 13 | B118319 | * | * | * | * | 1 | 二重皿止めねじ | SCREW 3/32X56 L=6.0 |
| 14 | 19534 | * | * | * | * | 1 | ローレットナット | NUT 7/32X32 |
| 15 | 10678 | * | * | * | * | 1 | 糸ゆるめ板 | TENSION RELEASE PLATE |
| 16 | 19422 | * | * | * | * | 2 | 糸ゆるめ板段ねじ | SCREW 9/64X40 |
| 17 | 10690 | * | * | * | * | 1 | スプリング受 | THREAD CONTROLLER SPRING STOP |
| 18 | 10650 | * | * | * | * | 1 | スプリング受止めねじ | SCREW 3.4X36 L=6.0 |
| 19 | | | | | | | | |
| 20 | 15062 | * | * | * | * | 1 | 大糸掛 | THREAD RETAINER |
| 21 | 15055 | * | * | * | * | 1 | 大糸掛止めねじ | SCREW 11/64X32 L=9.0 |
| 22 | 10720 | * | * | * | * | 1 | 糸ゆるめピン (長) | TENSION RELEASE PLATE ROD |

給油
LUBRICATION



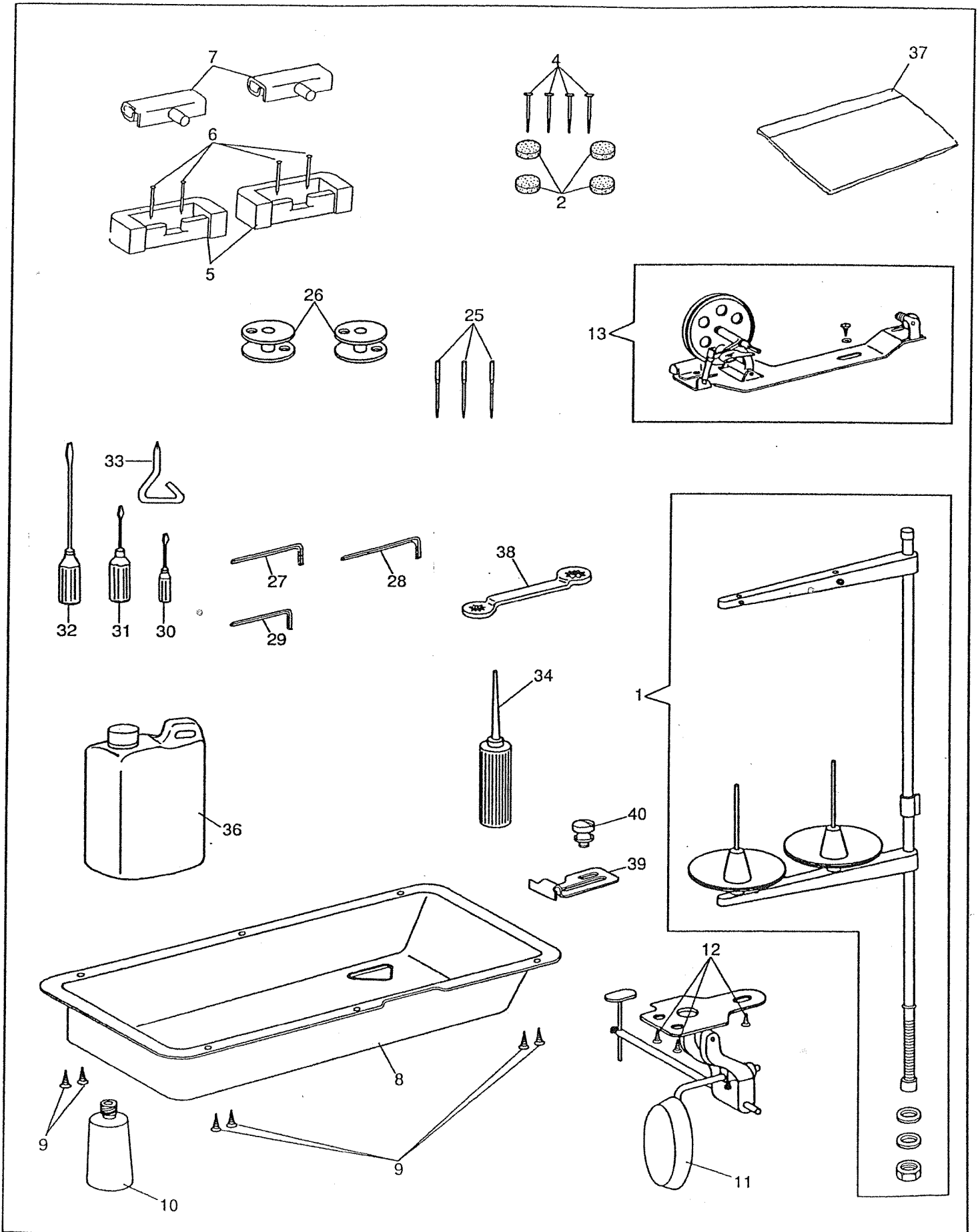
From the library of: Diamond Needle Corp

給油
LUBRICATION

| NO | 部品番号 PART NO | 254B-3 | 254RB-3 | 255B-3 | 255RB-3 | 数量 QTY | 品名 | PARTS NAME |
|----|-----------------|--------|---------|--------|---------|-----------|----------------|------------------------|
| 1 | 15063C | * | * | * | * | 1 | ビニールチューブ (組) | OIL TUBE AND OIL WICK |
| 3 | 15087 | * | * | * | * | 1 | ビニールチューブ押え (A) | RETAINER |
| 4 | 6333 | * | * | * | * | 1 | 止めねじ | SCREW 9/64X40 L=6.5 |
| 5 | 15067C | * | * | * | * | 1 | ビニールチューブ (組) | OIL TUBE AND OIL WICK |
| 8 | 15088 | * | * | * | * | 1 | ビニールチューブ押え (B) | RETAINER |
| 9 | 6333 | * | * | * | * | 1 | 止めねじ | SCREW 9/64X40 L=6.5 |
| 10 | 15085 | * | * | * | * | 1 | ビニールチューブ押え (C) | RETAINER |
| 11 | 6333 | * | * | * | * | 1 | 止めねじ | SCREW 9/64X40 L=6.5 |
| 12 | 15064C | * | * | * | * | 1 | ビニールチューブ (組) | OIL TUBE AND OIL WICK |
| 15 | 15097 | * | * | * | * | 1 | ビニールチューブ押え (D) | RETAINER |
| 16 | 6333 | * | * | * | * | 1 | 止めねじ | SCREW 9/64X40 L=6.5 |
| 17 | 15077 | * | * | * | * | 1 | ベッド油タンク | BED OIL TUBE CLAMP |
| 18 | 11106 | * | * | * | * | 1 | 油タンクフェルト | OIL FELT |
| 19 | 11108 | * | * | * | * | 1 | 止めねじ | SCREW 1/4X32 L=13.0 |
| 20 | 11085 | * | * | * | * | 1 | 下軸メタル油栓 | OIL STOP SCREW 7/16X28 |
| 21 | 11069 | * | * | * | * | 1 | 下軸メタルフェルト | OIL FELT |
| 22 | 11070 | * | * | * | * | 2 | 送り竿メタル油栓 | OIL STOP SCREW 7/16X28 |
| 23 | 11071 | * | * | * | * | 2 | 油栓パッキン | PACKING |
| 24 | 11069 | * | * | * | * | 4 | 送り竿メタルフェルト | OIL FELT |

6

附属品
ACCESSORIES AND ATTACHMENTS

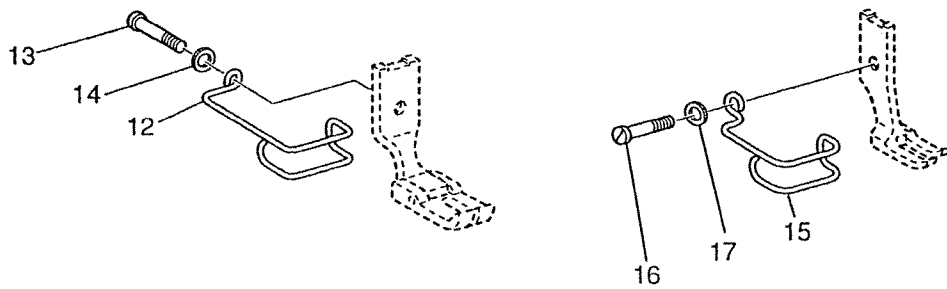
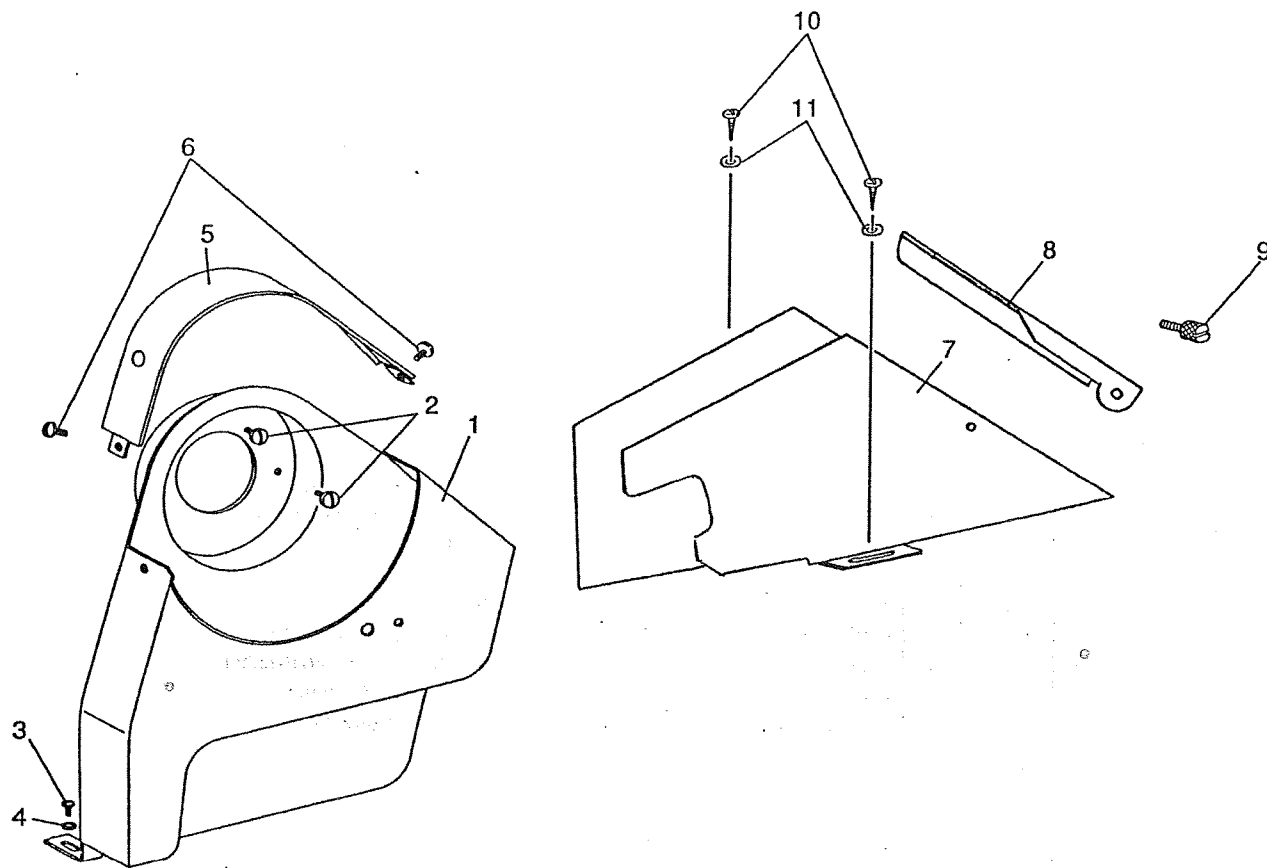


附属品

ACCESSORIES AND ATTACHMENTS

| NO | 部品番号 PART NO | 254RB-3 | 254RB-3 | 255B-3 | 255RB-3 | 数量 QTY | 品名 | PARTS NAME |
|----|-----------------|---------|---------|--------|---------|-----------|-----------------|----------------------------------|
| 1 | 35254 | * | * | * | * | 1 | 糸立てセット | THREAD UNWINDER COMPLETE |
| 2 | 11887 | * | * | * | * | 4 | ミシン受 | MACHINE REST |
| 3 | | | | | | | | |
| 4 | 6055 | * | * | * | * | 4 | 釘 | NAIL |
| 5 | 11886 | * | * | * | * | 2 | ミシンヒンジ受 | MACHINE HINGE CONNECTION CUSHION |
| 6 | 6055 | * | * | * | * | 2 | 釘 | NAIL |
| 7 | 11885 | * | * | * | * | 2 | ミシン ヒンジ | MACHINE HINGE CONNECTION |
| 8 | 15080 | * | * | * | * | 1 | 油受け | DRIP PAN |
| 9 | 15081 | * | * | * | * | 6 | 木ねじ | DRIP PAN NAIL |
| 10 | 15082 | * | * | * | * | 1 | 油びん | DRIP PAN DRAIN JAR |
| 11 | 10735 | * | * | * | * | 1 | ひざ上げセット | KNEE LIFTER COMPLETE |
| 12 | 6052 | * | * | * | * | 3 | 木ねじ | KNEE LIFTER SCREW |
| 13 | 15101 | * | * | * | * | 1 | 糸巻きセット | BOBBIN WINDER COMPLETE |
| 25 | N0122 | * | * | * | * | 3 | 針 | NEEDLE |
| 26 | 15041 | * | * | * | * | 6 | ボビン | BOBBIN |
| 27 | 10747 | * | * | * | * | 1 | 六角レンチ (1/16インチ) | WRENCH |
| 28 | 11487 | * | * | * | * | 1 | 六角レンチ (3 ミリ) | WRENCH |
| 29 | 11969 | * | * | * | * | 1 | 六角レンチ (2.5ミリ) | WRENCH |
| 30 | 8121 | * | * | * | * | 1 | ドライバー (小) | SCREW DRIVER (SMALL) |
| 31 | 8120 | * | * | * | * | 1 | ドライバー (中) | SCREW DRIVER (MIDDLE) |
| 32 | 8118 | * | * | * | * | 1 | ドライバー (大) | SCREW DRIVER (LARGE) |
| 33 | 8180 | * | * | * | * | 1 | 十字ドライバー | SCREW DRIVER (CROSS TYPE) |
| 34 | 8125 | * | * | * | * | 1 | 油差し | OILER |
| 35 | | | | | | | | |
| 36 | 11193 | * | * | * | * | 1 | 油 | OIL |
| 37 | 8132-B | * | * | * | * | 1 | 補用品袋 | ACCESSORIES PACK |
| 38 | 10748 | * | * | * | * | 1 | メガネレンチ | DOUBLE HEAD WRENCH |
| 39 | 10730 | * | * | * | * | 1 | 定規 | CLOTH EDGE GUIDE |
| 40 | 10731 | * | * | * | * | 1 | 定規止めねじ | SCREW 13/64X32 |

別売品
PARTS AVAILABLE AT EXTRA CHARGE



別売品

PARTS AVAILABLE AT EXTRA CHARGE

| NO | 部品番号 PART NO | 254B-3 | 254RB-3 | 255B-3 | 255RB-3 | 数量 QTY | 品名 | PARTS NAME |
|----|-----------------|--------|---------|--------|---------|-----------|--------------------|-----------------------------------|
| 1 | 15098 | * | * | * | * | 1 | ベルトガード | BELT GUARD |
| 2 | 11162 | * | * | * | * | 2 | 止めねじ(上) | SCREW 3.4X36 L=5.4 |
| 3 | 10650 | * | * | * | * | 1 | 止めねじ(下) | SCREW 3.4X36 L=6.0 |
| 4 | 11142 | * | * | * | * | 1 | ワッシャー | WASHER |
| 5 | 15099 | * | * | * | * | 1 | ベルトガード (上) カバー | BELT GUARD (TOP) COVER |
| 6 | 12418 | * | * | * | * | 2 | 止めねじ | SCREW 13/64X32 L=9.0 |
| 7 | 15121 | * | * | * | * | 1 | ベルトガード (下) カバー | BELT GUARD (BOTTOM) COVER |
| 8 | 15122 | * | * | * | * | 1 | ベルトガード (下) カバー (小) | BELT GUARD (BOTTOM) COVER (SMALL) |
| 9 | 11830 | * | * | * | * | 1 | 止めねじ | SCREW 9/64X40 |
| 10 | 15081 | * | * | * | * | 2 | 木ねじ | SCREW |
| 11 | 16287 | * | * | * | * | 2 | ワッシャー | WASHER |
| 12 | 10995-01 | * | * | - | - | 1 | フィンガーガード | FINGER GUARD |
| 13 | 10749 | * | * | - | - | 1 | 止めねじ | SCREW 3.4X36 L=11.0 |
| 14 | 10677 | * | * | - | - | 1 | ワッシャー | WASHER |
| 15 | 10937-01 | - | - | * | * | 1 | フィンガーガード | FINGER GUARD |
| 16 | 10749 | - | - | * | * | 1 | 止めねじ | SCREW 3.4X36 L=11.0 |
| 17 | 10677 | - | - | * | * | 1 | ワッシャー | WASHER |

CONSOLIDATED SEWING MACHINE CORP.
131 WEST 25TH STREET, NEW YORK, NY 10001, U.S.A

Part No. PB21601 (072000)

From the library of: Diamond Needle Corp